

JVC

SERVICE MANUAL

COMPACT COMPONENT SYSTEM

FS-P550

Area suffix

C ----- Canada

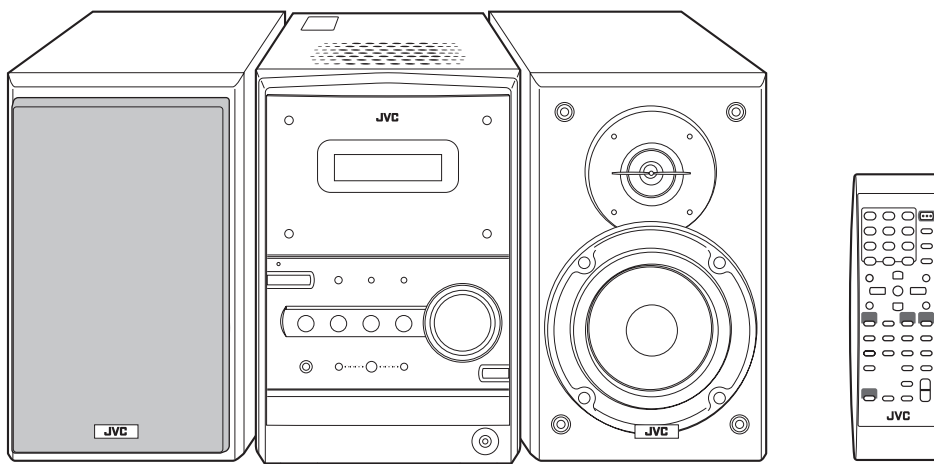


TABLE OF CONTENTS

1	PRECAUTION.....	1-3
2	SPECIFIC SERVICE INSTRUCTIONS.....	1-6
3	DISASSEMBLY.....	1-7
4	ADJUSTMENT.....	1-25
5	TROUBLESHOOTING.....	1-31

SPECIFICATION

Amplifier section	Output Power:80 W		HIGH:40 W (20 W + 20 W) at 4 Ω (10% THD)
			LOW:40 W (20 W + 20 W) at 4 Ω (10% THD)
	Audio Input		AUX:400 mV/50 kΩ
	Digital output		DVD OPTICAL DIGITAL OUT:-21 dBm to -15 dBm (660 nm ±30 nm)
	Video output		Color system:NTSC (interlaced/progressive)
	VIDEO (composite)		1 V(p-p)/75 Ω
	S-VIDEO		Y (luminance):1 V(p-p)/75 Ω C (chrominance, burst):0.286 V(p-p)/75 Ω
	COMPONENT		(Y):1 V(p-p)/75 Ω (PB/PR):0.7 V(p-p)/75 Ω
	Speakers/Impedance		4Ω - 16Ω
Tuner section	FM tuning range		87.5 MHz - 108.0 MHz
	AM (MW) tuning range		530 kHz - 1 710 kHz
Disc player section	Playable disc		DVD Video/DVD Audio CD/VCD/SVCD CD-R/CD-RW (CD/SVCD/VCD/MP3/WMA/JPEG format) DVD-R/DVD-RW (Video format)
	Dynamic range		90 dB
	Horizontal resolution		500 lines
	Wow and flutter		Immeasurable
Speakers	Speaker units	HIGH	4 cm (1 5/8 in.) cone × 1
		LOW	10 cm (3 15/16 in.) cone × 1
	Impedance	HIGH	4Ω
		LOW	4Ω
	Dimensions (approx.)		145 mm × 230 mm × 202 mm (5 3/4 in. × 9 1/16 in. × 8in.) (W/H/D)
	Mass (approx.)		2.2 kg (4.9 lbs) each
General	Power requirement		AC 120 V , 60 Hz
	Power consumption		90 W (at operation) 1.8 W (on standby)
	Dimensions (approx.)		170 mm × 230 mm × 311 mm (6 3/4 in. × 9 1/16 in. × 12 1/4in.) (W/H/D)
	Mass (approx.)		5.0 kg (11.1 lbs)

Designs and Specifications are subject to change without notice.

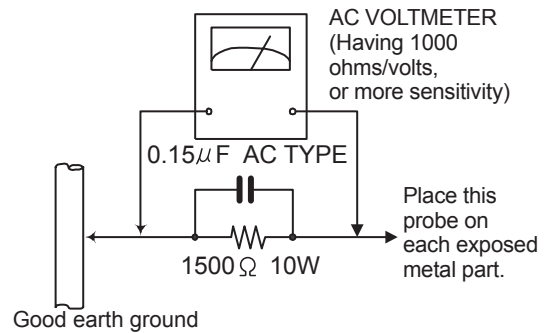
SECTION 1 PRECAUTION

1.1 Safety Precautions

- (1) This design of this product contains special hardware and many circuits and components specially for safety purposes. For continued protection, no changes should be made to the original design unless authorized in writing by the manufacturer. Replacement parts must be identical to those used in the original circuits. Services should be performed by qualified personnel only.
- (2) Alterations of the design or circuitry of the product should not be made. Any design alterations of the product should not be made. Any design alterations or additions will void the manufacturer's warranty and will further relieve the manufacturer of responsibility for personal injury or property damage resulting therefrom.
- (3) Many electrical and mechanical parts in the products have special safety-related characteristics. These characteristics are often not evident from visual inspection nor can the protection afforded by them necessarily be obtained by using replacement components rated for higher voltage, wattage, etc. Replacement parts which have these special safety characteristics are identified in the Parts List of Service Manual. Electrical components having such features are identified by shading on the schematics and by (Δ) on the Parts List in the Service Manual. The use of a substitute replacement which does not have the same safety characteristics as the recommended replacement parts shown in the Parts List of Service Manual may create shock, fire, or other hazards.
- (4) The leads in the products are routed and dressed with ties, clamps, tubings, barriers and the like to be separated from live parts, high temperature parts, moving parts and/or sharp edges for the prevention of electric shock and fire hazard. When service is required, the original lead routing and dress should be observed, and it should be confirmed that they have been returned to normal, after reassembling.
- (5) Leakage shock hazard testing
After reassembling the product, always perform an isolation check on the exposed metal parts of the product (antenna terminals, knobs, metal cabinet, screw heads, headphone jack, control shafts, etc.) to be sure the product is safe to operate without danger of electrical shock. Do not use a line isolation transformer during this check.
 - Plug the AC line cord directly into the AC outlet. Using a "Leakage Current Tester", measure the leakage current from each exposed metal part of the cabinet, particularly any exposed metal part having a return path to the chassis, to a known good earth ground. Any leakage current must not exceed 0.5mA AC (r.m.s.).
 - Alternate check method
Plug the AC line cord directly into the AC outlet. Use an AC voltmeter having, 1,000 Ω per volt or more sensitivity in the following manner. Connect a 1,500 Ω 10W resistor paralleled by a 0.15 μ F AC-type capacitor between an exposed metal part and a known good earth ground. Measure the AC voltage across the resistor with the AC

voltmeter.

Move the resistor connection to each exposed metal part, particularly any exposed metal part having a return path to the chassis, and measure the AC voltage across the resistor. Now, reverse the plug in the AC outlet and repeat each measurement. Voltage measured any must not exceed 0.75 V AC (r.m.s.). This corresponds to 0.5 mA AC (r.m.s.).



1.2 Warning

- (1) This equipment has been designed and manufactured to meet international safety standards.
- (2) It is the legal responsibility of the repairer to ensure that these safety standards are maintained.
- (3) Repairs must be made in accordance with the relevant safety standards.
- (4) It is essential that safety critical components are replaced by approved parts.
- (5) If mains voltage selector is provided, check setting for local voltage.

1.3 Caution

Burrs formed during molding may be left over on some parts of the chassis.

Therefore, pay attention to such burrs in the case of pre-forming repair of this system.

1.4 Critical parts for safety

In regard with component parts appearing on the silk-screen printed side (parts side) of the PWB diagrams, the parts that are printed over with black such as the resistor (■), diode (■) and ICP (●) or identified by the " Δ " mark nearby are critical for safety. When replacing them, be sure to use the parts of the same type and rating as specified by the manufacturer. (This regulation does not Except the J and C version)

1.5 Preventing static electricity

Electrostatic discharge (ESD), which occurs when static electricity stored in the body, fabric, etc. is discharged, can destroy the laser diode in the traverse unit (optical pickup). Take care to prevent this when performing repairs.

1.5.1 Grounding to prevent damage by static electricity

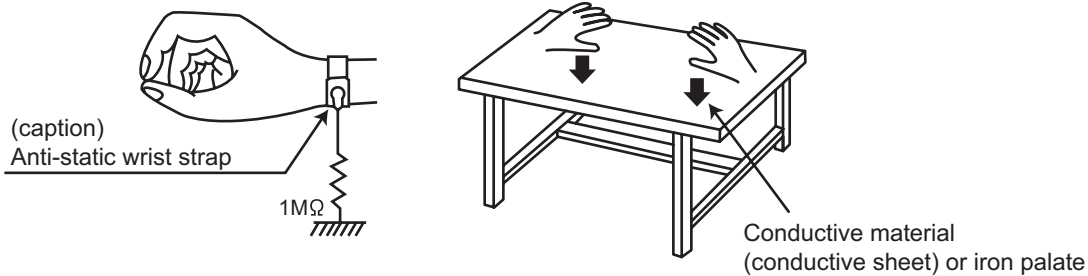
Static electricity in the work area can destroy the optical pickup (laser diode) in devices such as laser products. Be careful to use proper grounding in the area where repairs are being performed.

(1) Ground the workbench

Ground the workbench by laying conductive material (such as a conductive sheet) or an iron plate over it before placing the traverse unit (optical pickup) on it.

(2) Ground yourself

Use an anti-static wrist strap to release any static electricity built up in your body.



(3) Handling the optical pickup

- In order to maintain quality during transport and before installation, both sides of the laser diode on the replacement optical pickup are shorted. After replacement, return the shorted parts to their original condition. (Refer to the text.)
- Do not use a tester to check the condition of the laser diode in the optical pickup. The tester's internal power source can easily destroy the laser diode.

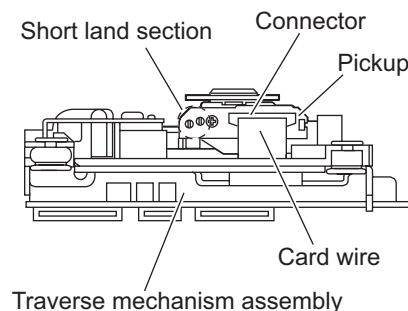
1.6 Handling the traverse unit (optical pickup)

- (1) Do not subject the traverse unit (optical pickup) to strong shocks, as it is a sensitive, complex unit.
- (2) Cut off the shorted part of the flexible cable using nippers, etc. after replacing the optical pickup. For specific details, refer to the replacement procedure in the text. Remove the anti-static pin when replacing the traverse unit. Be careful not to take too long a time when attaching it to the connector.
- (3) Handle the flexible cable carefully as it may break when subjected to strong force.
- (4) It is not possible to adjust the semi-fixed resistor that adjusts the laser power. Do not turn it.

1.7 Attention when traverse unit is decomposed

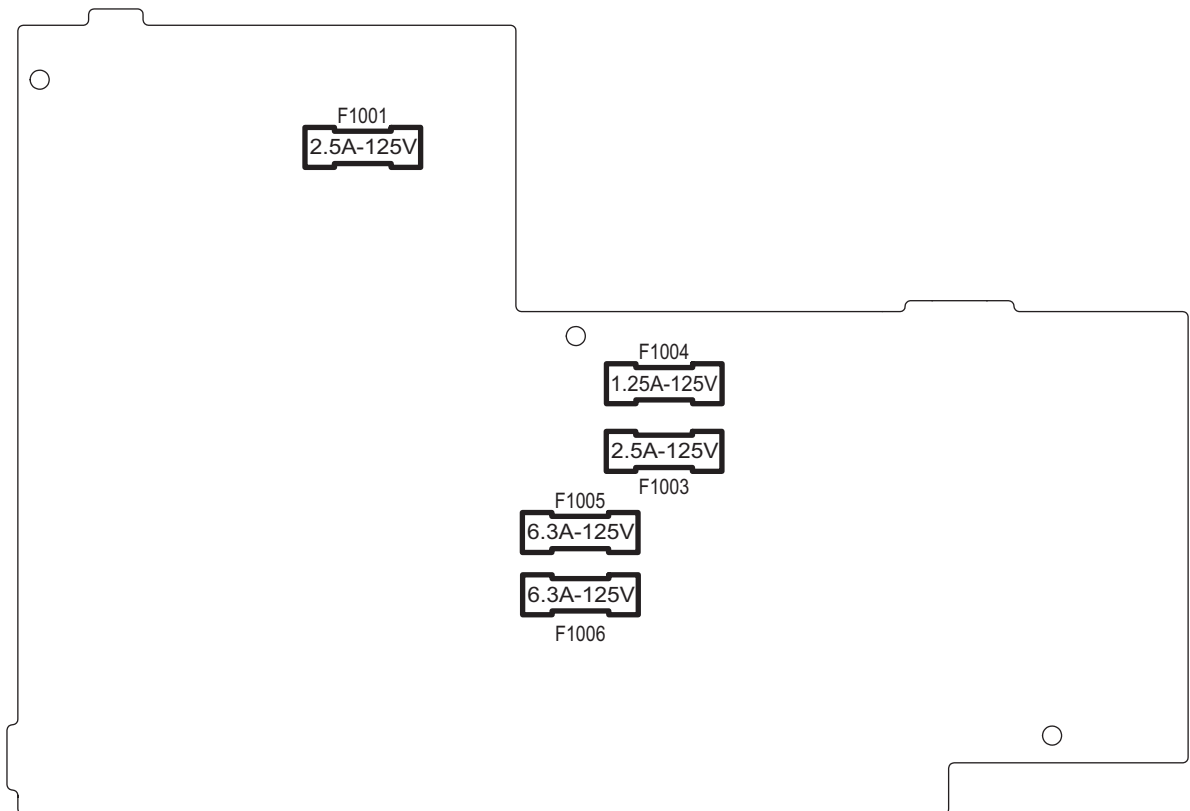
***Please refer to "Disassembly method" in the text for the pickup unit.**

- Apply solder to the short land sections before the flexible wire is disconnected from the connector on the servo board. (If the flexible wire is disconnected without applying solder, the pickup may be destroyed by static electricity.)
- In the assembly, be sure to remove solder from the short land sections after connecting the flexible wire.

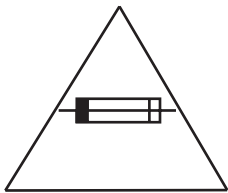


1.8 Importance administering point on the safety

Power supply board



For USA and Canada / pour Etats - Unis d' Amérique et Canada



Caution: For continued protection against risk of fire, replace only with same type 2.5 A/125 V for F1001 and F1003, 1.25 A/125 V for F1004, 6.3 A/125 V for F1005 and F1006.

This symbol specifies the type of fast operating fuse.

Précaution: Pour la protection continue contre les risques d'incendie, remplacer uniquement par le même type: fusible 2,5 A/125 V pour les F1001 et F1003, 1,25 A/125 V pour le F1004, et 6,3 A/125 V pour les F1005 et F1006.

Ce symbole spécifie le type de fusible à action rapide.

SECTION 2 SPECIFIC SERVICE INSTRUCTIONS

This service manual does not describe SPECIFIC SERVICE INSTRUCTIONS.

SECTION 3 DISASSEMBLY

3.1 Main body section

3.1.1 Removing the side panels L/R

(See Figs.1 to 4)

- (1) From the back side of the main body, remove the four screws **A** attaching the side panels L/R to the rear panel. (See Fig.1.)
- (2) From the bottom side of the main body, remove the two screws **B** attaching the side panels L/R to the bottom chassis. (See Fig.2.)
- (3) From the both sides of the main body, release the engagement sections (**a**, **b**) of the side panels L/R from the top panel in the direction of the arrow. (See Figs.3 and 4.)
- (4) Remove the side panels L/R toward this side.

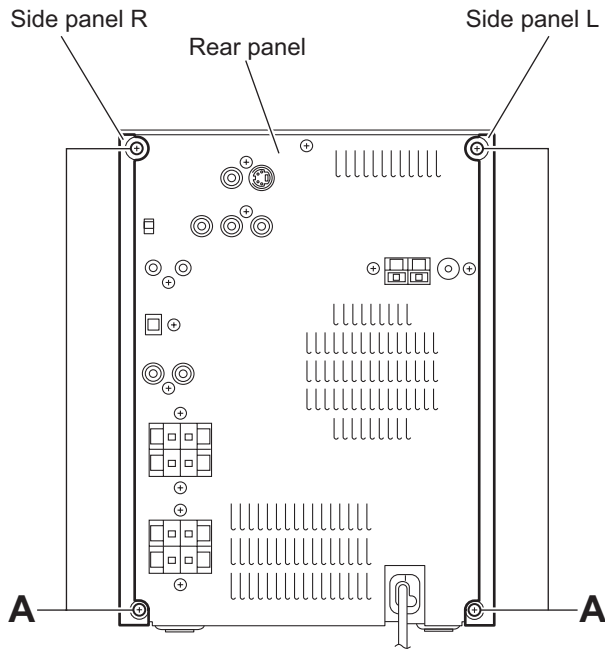


Fig.1

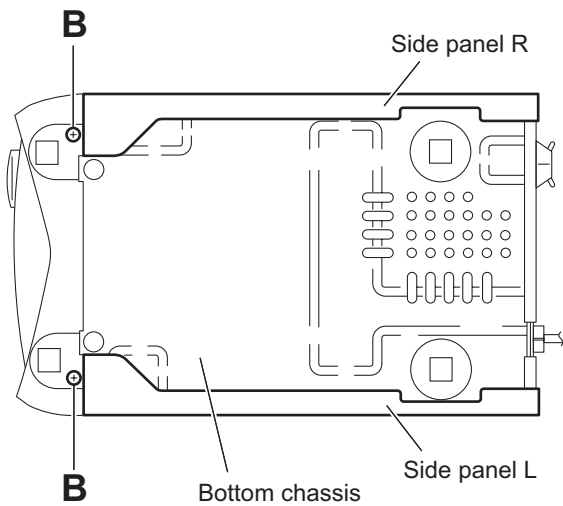


Fig.2

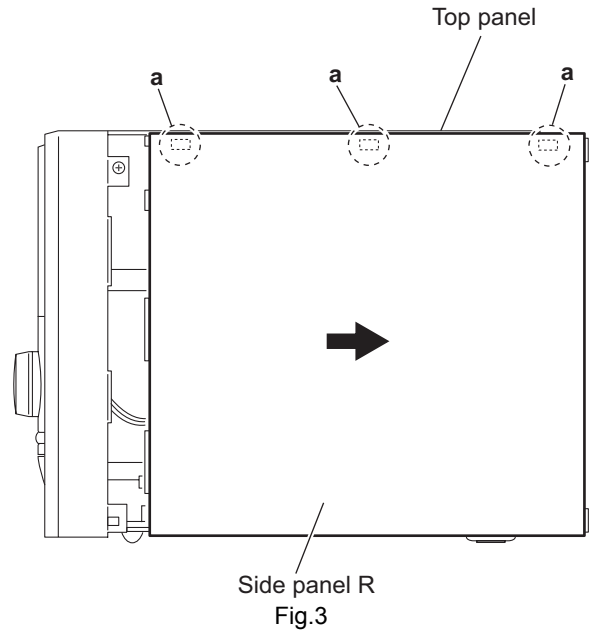


Fig.3

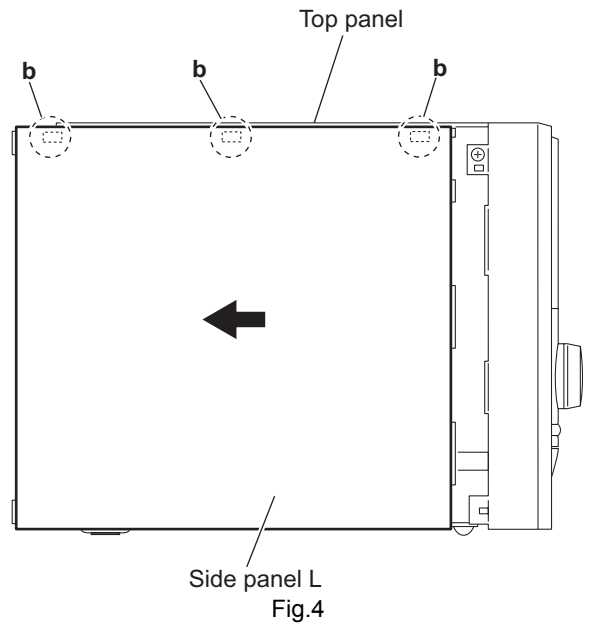
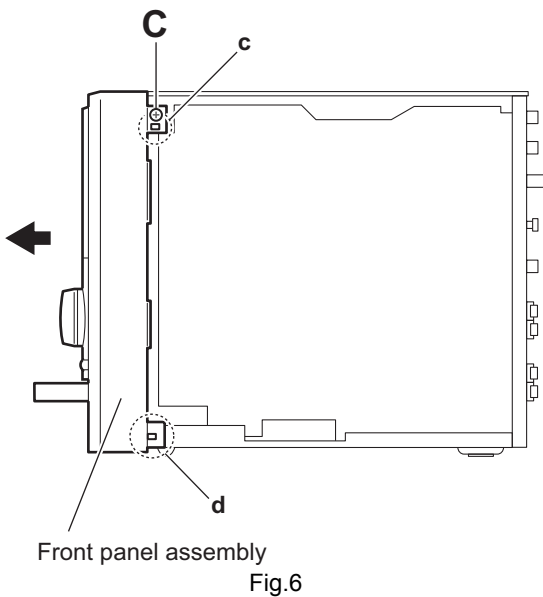
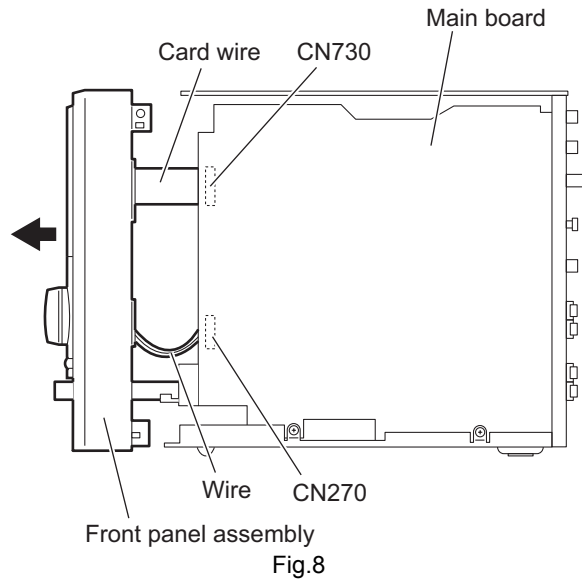
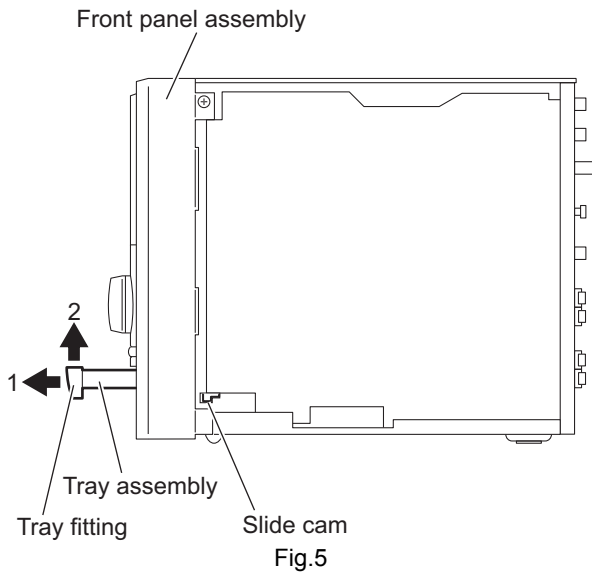
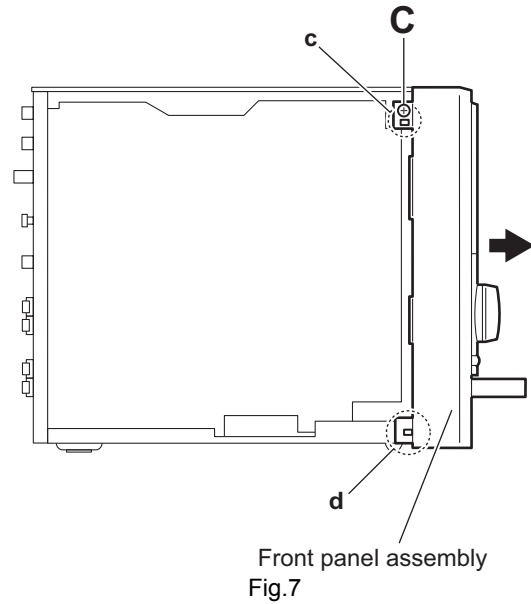


Fig.4

3.1.2 Removing the front panel assembly (See Figs.5 to 8)

- Prior to performing the following procedures, remove the side panels L/R.
 - (1) From the right side of the main body, push the slide cam and pull the tray assembly out of the main body in the direction of the arrow 1. (See Fig.5.)
 - (2) Remove the tray fitting from the tray assembly in the direction of the arrow 2. (See Fig.5.)
 - (3) From the both sides of the main body, remove the two screws **C** attaching the front panel assembly. (See Figs.6 and 7.)
 - (4) Release the two claws **c** and claws **d** to draw out the front panel assembly in the direction of the arrow. (See Figs.6 and 7.)
 - (5) From the right side of the main body, disconnect the card wire from the connector **CN730** on the main board. (See Fig.8.)
 - (6) Disconnect the wire from the connector **CN270** on the main board. (See Fig.8.)
 - (7) Remove the front panel assembly in the direction of the arrow. (See Fig.8.)



3.1.3 Removing the top panel (See Fig.9)

- Prior to performing the following procedures, remove the side panels L/R and front panel assembly.
 - (1) From the back side of the main body, remove the screw **D** attaching the top panel to the rear panel.
 - (2) Take out the top panel from the main body.

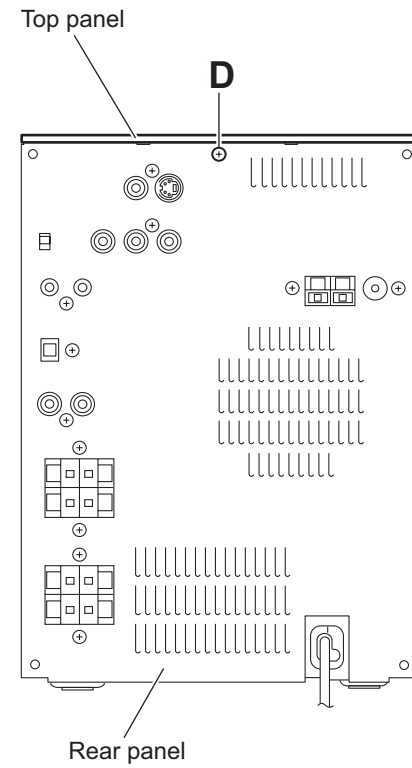
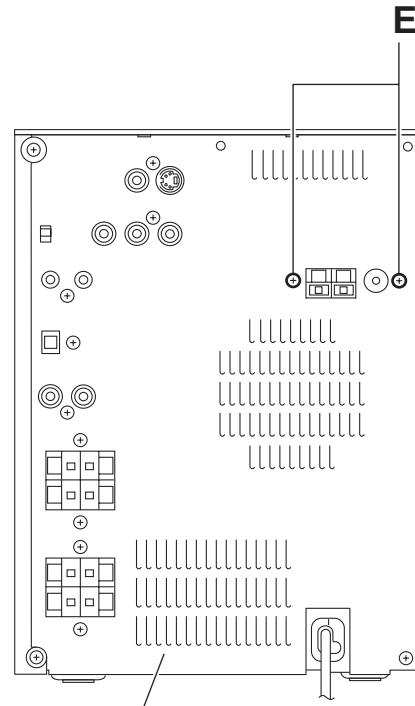


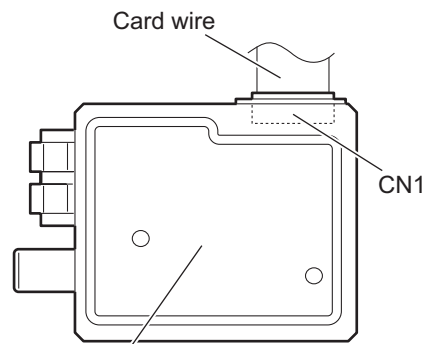
Fig.9

3.1.4 Removing the tuner (See Figs.10 and 11)

- Prior to performing the following procedures, remove the side panel L.
 - (1) From the back side of the main body, remove the two screws **E** attaching the tuner to the rear panel. (See Fig.10.)
 - (2) Disconnect the card wire from the connector **CN1** on the tuner. (See Fig.11.)



Rear panel
Fig.10



Card wire
CN1
Tuner
Fig.11

3.1.5 Removing the rear panel (See Fig.12)

- Prior to performing the following procedures, remove the side panels L/R.
 - (1) From the back side of the main body, remove the twelve screws **F** attaching the rear panel.
 - (2) Release the engagement sections **e** and remove the rear panel.

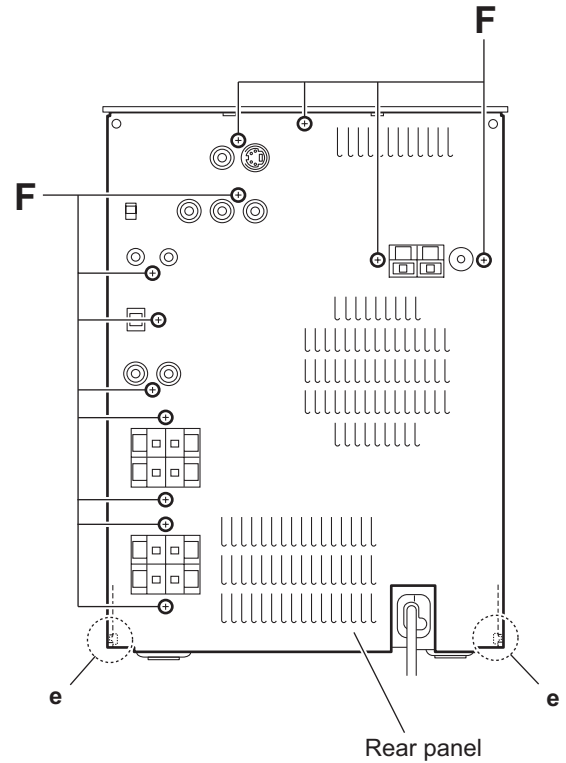


Fig.12

3.1.6 Removing the video board (See Fig.13)

- Prior to performing the following procedures, remove the side panels L/R and rear panel.
 - (1) From the forward side of the video board, disconnect the card wires from connector [CN300](#).
 - (2) Disconnect the wire to the connector [CN301](#) on the video board.

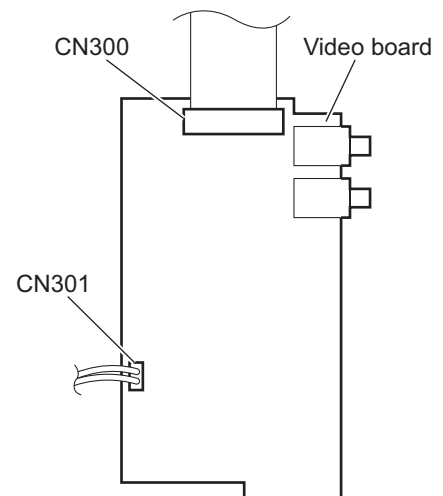


Fig.13

3.1.7 Removing the fan (See Fig.14)

- Prior to performing the following procedures, remove the side panels L/R, front panel assembly, top panel and rear panel.
 - (1) From the front side of the main body, remove the two screws **G** attaching the fan bracket to the heat sink B.
 - (2) Remove the two screws **H** attaching the fan to the fan bracket.

Reference:

- Remove the tuner and video board as required. (See Figs.10, 11, and 13)
- When attaching the screws **H**, attach the wire holders with them.

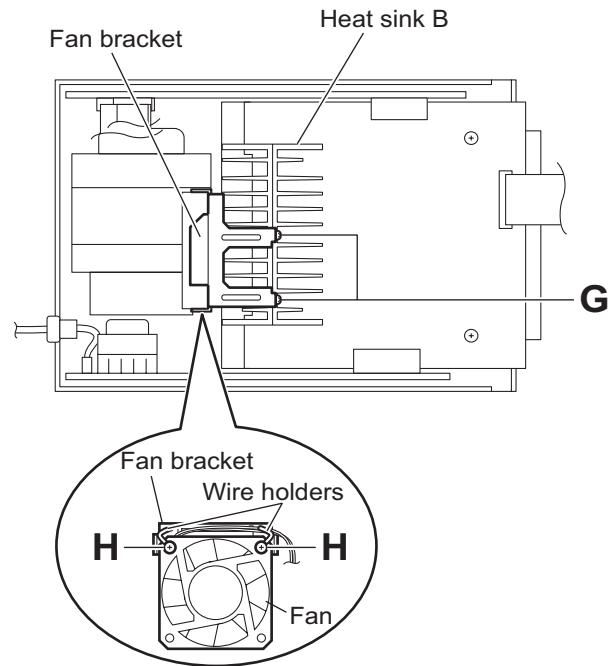


Fig.14

3.1.8 Removing the main board (See Fig.15)

- Prior to performing the following procedures, remove the side panels L/R, front panel assembly, top panel, tuner, rear panel and video board.
 - (1) From the right side of the main body, remove the two screws **J** attaching the main board.
 - (2) Remove the main board toward this side and disconnect the connector **CN200** on the main board.
 - (3) From the forward side of the main board, disconnect the card wires from the connectors (**CN210**, **CN220**, **CN720**).

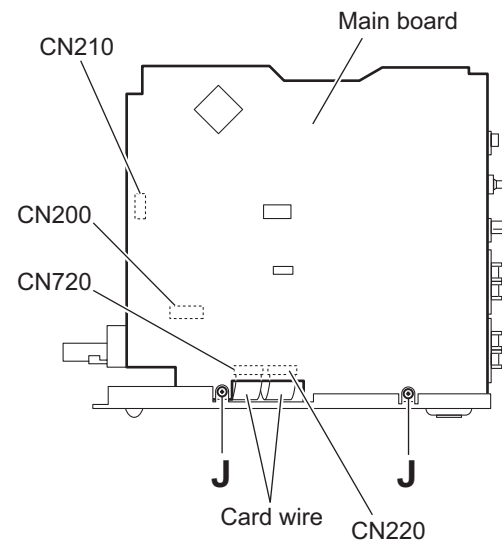


Fig.15

3.1.9 Removing the power supply board (See Fig.16)

- Prior to performing the following procedures, remove the side panel L and rear panel.
 - (1) From the left side of the main body, remove the screw **K** attaching the power supply board.
 - (2) Remove the power supply board toward this side and disconnect the connector [CN104](#) on the power supply board.
 - (3) From the forward side of the power supply board, disconnect the wires from the connectors ([CN101](#), [CN102](#), [CN103](#)).

Reference:

When attaching the power supply board, insert the section **f** of the power supply board in the hole of the bottom chassis before attaching the screw **K**.

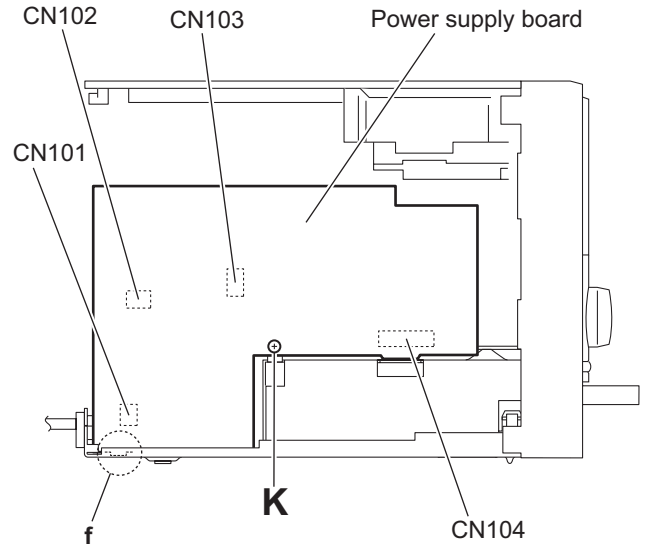


Fig.16

3.1.10 Removing the power amplifier board (See Fig.17)

- Prior to performing the following procedures, remove the side panels L/R, front panel assembly, top panel, tuner, rear panel, video board and main board.
 - (1) From the top side of the main body, remove the four screws **L** attaching the power amplifier board.
 - (2) From the forward side of the power amplifier board, disconnect the card wire from the connector ([CN404](#)).
 - (3) Lift the power amplifier board and remove it from the engagement sections (**g**, **h**) of the shield case.
 - (4) Remove the power amplifier board toward this side and disconnect the connector [CN403](#) on the power amplifier board.

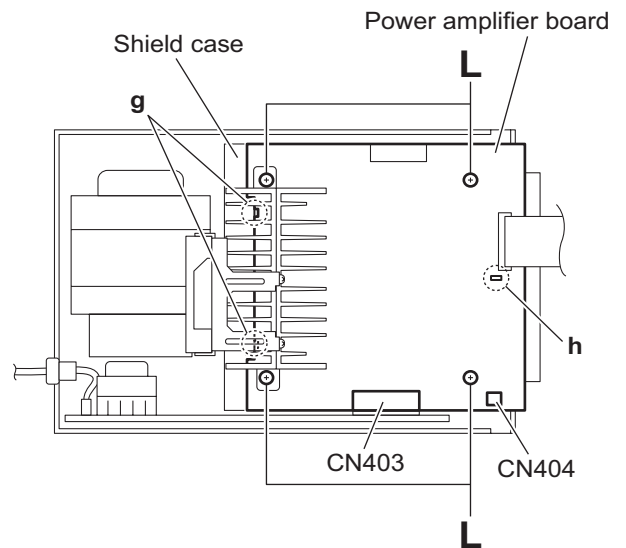


Fig.17

3.1.11 Removing the heat sink and heat sink B (See Figs.18 and 19)

- Prior to performing the following procedure, remove the side panels L/R, front panel assembly, top panel, rear panel and fan.
 - (1) From the top side of the main body, remove the two screws **M** attaching the heat sink on the power amplifier board. (See Fig.18.)
 - (2) From the side of the power amplifier board, remove the two screws **N** attaching the heat sink. (See Fig.18.)
 - (3) From the front side of the main body, remove the three screws **P** attaching the heat sink B. (See Fig.19.)

Reference:

Remove the tuner and video board as required.(See Figs.10, 11 and 13.)

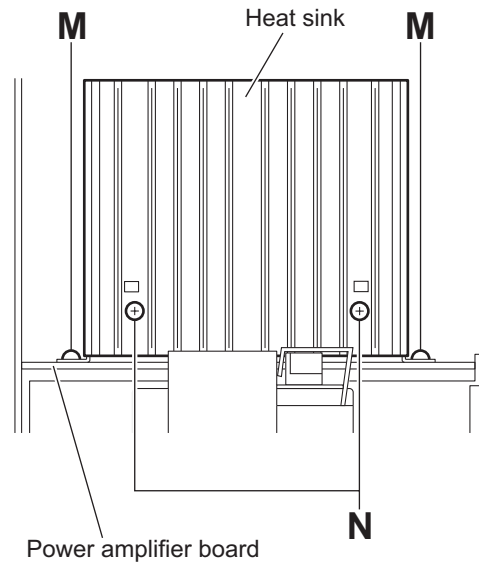


Fig.18

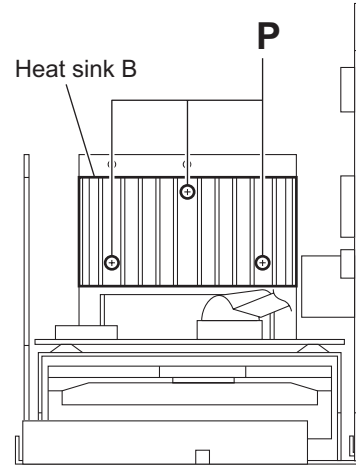


Fig.19

3.1.12 Removing the DVD mechanism assembly (See Figs.20 and 21)

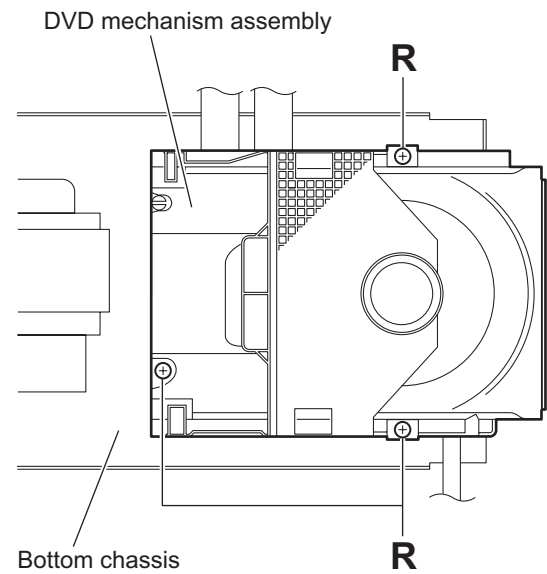
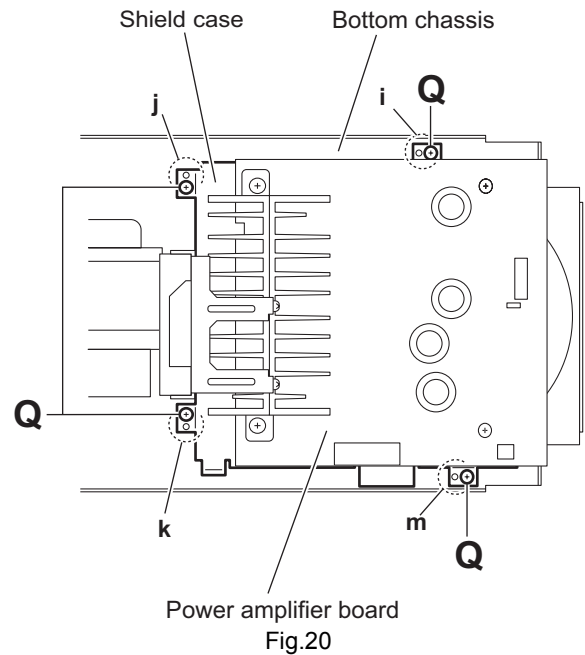
- Prior to performing the following procedures, remove the side panels L/R, front panel assembly, top panel, tuner, rear panel, video board, main board and power supply board.

(1) From the top side of the main body, remove the four screws **Q** attaching the shield case to the bottom chassis. (See Fig.20.)

Reference:

When attaching the shield case on the bottom chassis, align the projections (**i**, **j**, **k**, **m**) of the bottom chassis in the holes of the shield case. (See Fig.20.)

- Take out the shield case with the power amplifier board from the bottom chassis. (See Fig.20.)
- Remove the three screws **R** attaching the DVD mechanism assembly to the bottom chassis. (See Fig.21.)



3.1.13 Removing the power transformer (See Figs.22 and 23)

- Prior to performing the following procedures, remove the side panels L/R, front panel assembly, top panel, rear panel and main board.

(1) From the forward side of the power supply board, disconnect the wires from the connectors (CN102, CN103). (See Fig.22.)

Reference:

Remove the tuner , video board and the power supply board as required. (See Figs.10, 11, 13 and 16.)

(2) From the top side of the main body, remove the four screws **S** attaching the power transformer to the bottom chassis. (See Fig.23.)

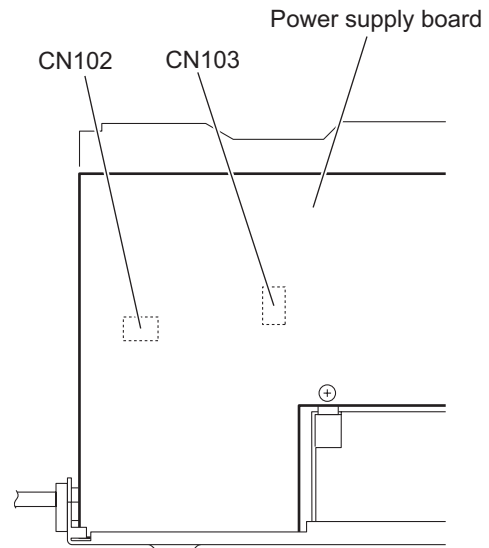


Fig.22

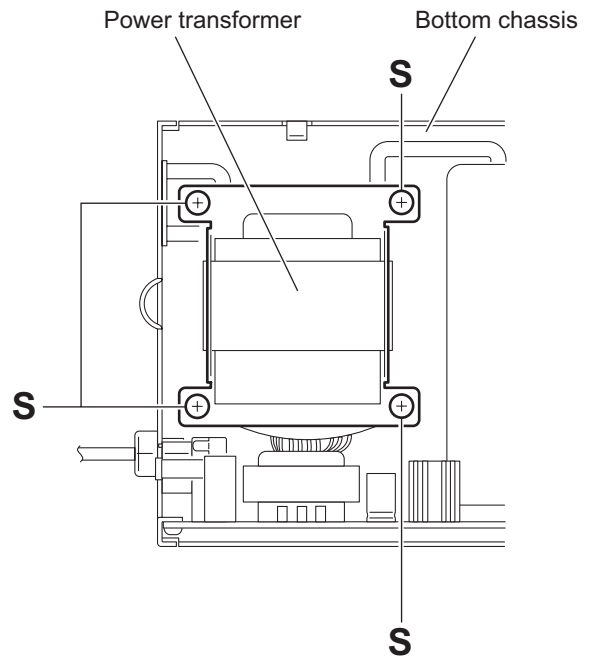


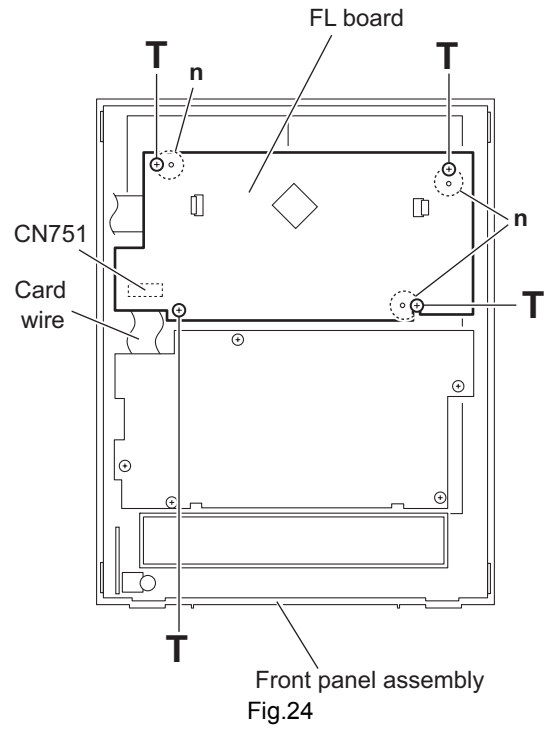
Fig.23

3.1.14 Removing the FL board (See Fig.24)

- Prior to performing the following procedures, remove the side panels L/R and front panel assembly.
 - (1) From the inside of the front panel assembly, remove the four screws **T** attaching the FL board.
 - (2) Take out the FL board from the front panel assembly and disconnect the card wire from the connector [CN751](#) on the FL board.

Reference:

When attaching the FL board, align the projections **n** of the front panel assembly in the holes of the FL board.



3.1.15 Removing the switch board (See Figs.25 and 26)

- Prior to performing the following procedures, remove the side panels L/R and front panel assembly.
 - (1) From the front side of the front panel assembly, pull out the volume knob in to the direction of the arrow. (See Fig.25.)
 - (2) From the inside of the front panel assembly, remove the ten screws **U** attaching the switch board. (See Fig.26.)
 - (3) Take out the switch board from the front panel assembly and disconnect the card wire from the connector **CN760** on the switch board. (See Fig.26.)

Reference:

When attaching the switch board, align the projections **p** of the front panel assembly in the holes of the switch board. (See Fig.26.)

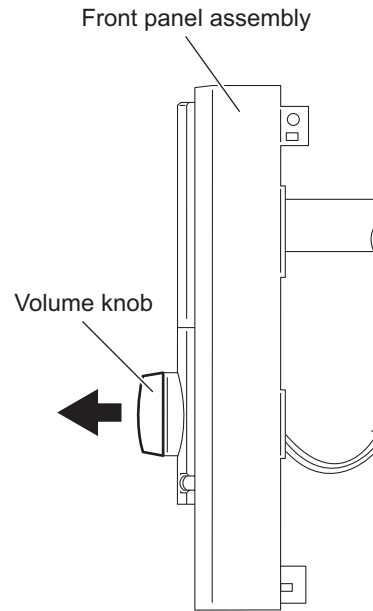


Fig.25

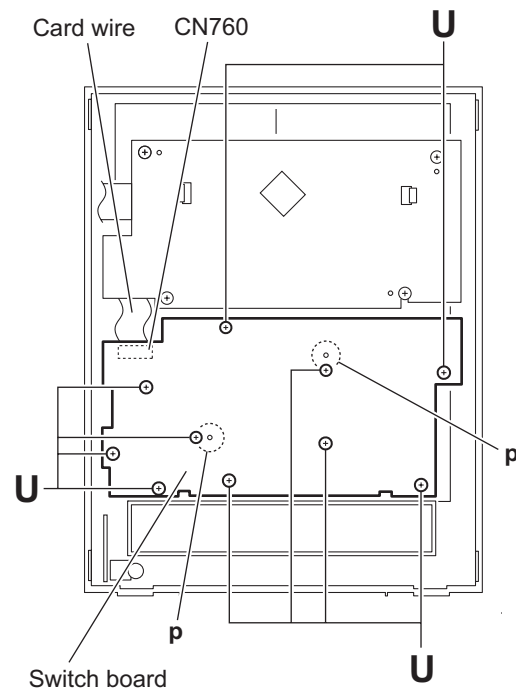


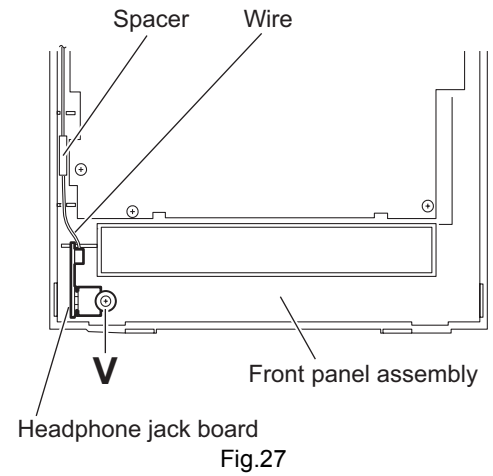
Fig.26

3.1.16 Removing the headphone jack board (See Fig.27)

- Prior to performing the following procedure, remove the side panels L/R and front panel assembly.
(1) From the inside of the front panel assembly, remove the screw **V** attaching the headphone jack board.

Reference:

After attaching the headphone jack board, fix the wire with the spacer.

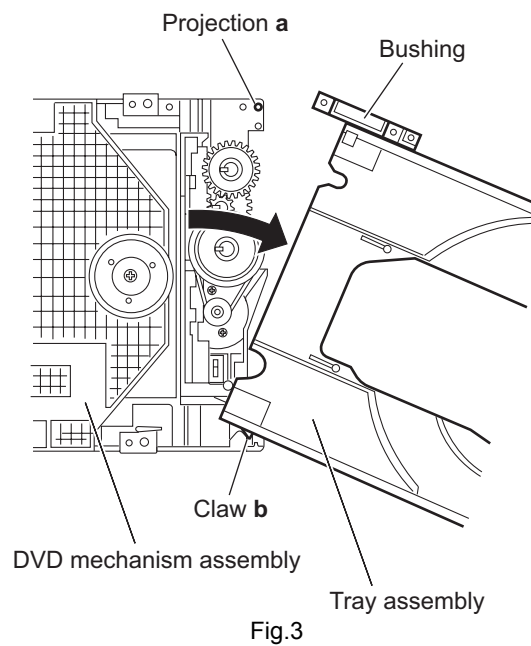
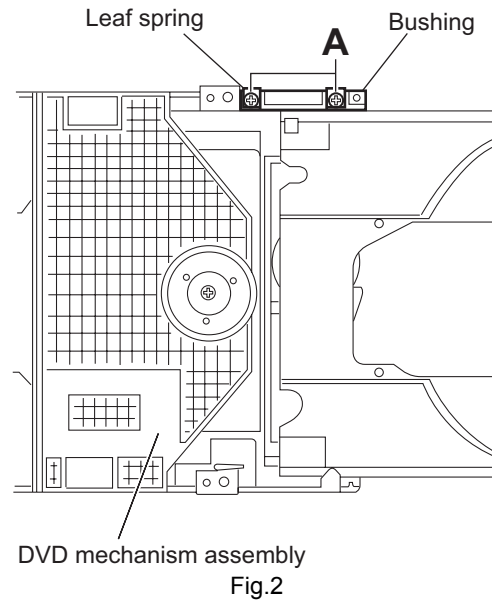
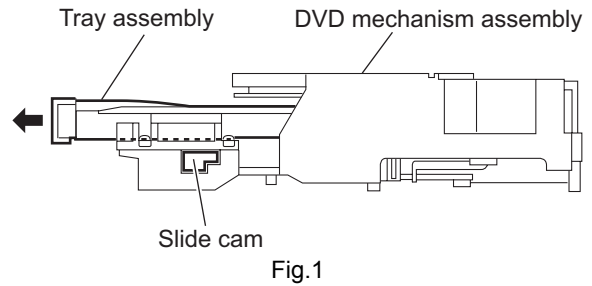


3.2 DVD mechanism section

- Prior to performing the following procedures, remove the DVD mechanism assembly from the main body.
(See "3.1.12 Removing the DVD mechanism assembly".)

3.2.1 Removing the tray assembly (See Figs.1 to 3)

- (1) From the right side of the DVD mechanism assembly, push the slide cam and pull the tray assembly out of the DVD mechanism assembly in the direction of the arrow. (See Fig.1.)
- (2) From the top side of the DVD mechanism assembly, remove the two screws **A** attaching the leaf spring to the bushing and remove the leaf spring. (See Fig.2.)
- (3) Remove the bushing of the tray assembly from the projection **a** on the DVD mechanism assembly and move the tray assembly in the direction of the arrow. (See Fig.3.)
- (4) Remove the claw **b** of the tray assembly from the DVD mechanism assembly and take out the tray assembly. (See Fig.3.)

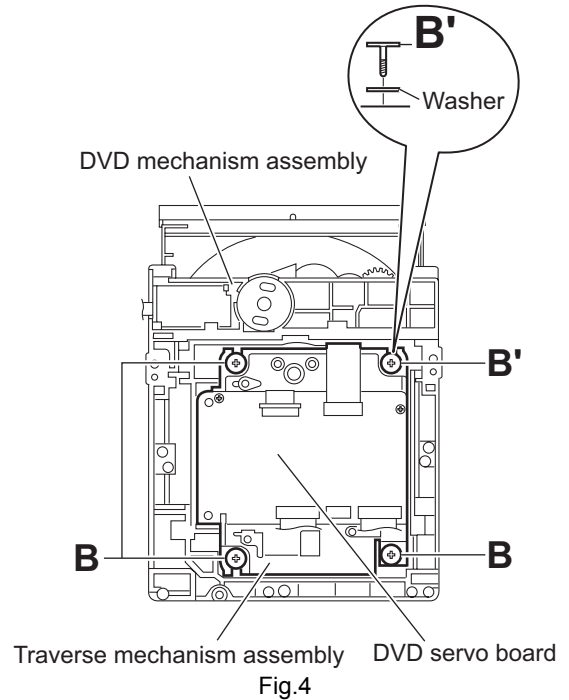


3.2.2 Removing the traverse mechanism assembly (See Figs.4)

- (1) From the bottom side of the DVD mechanism assembly, remove the three screws **B** and screw **B'** attaching the traverse mechanism assembly and take out the DVD traverse mechanism assembly with the DVD servo board.

Reference:

When attaching the screw **B'**, attach the washer with it.

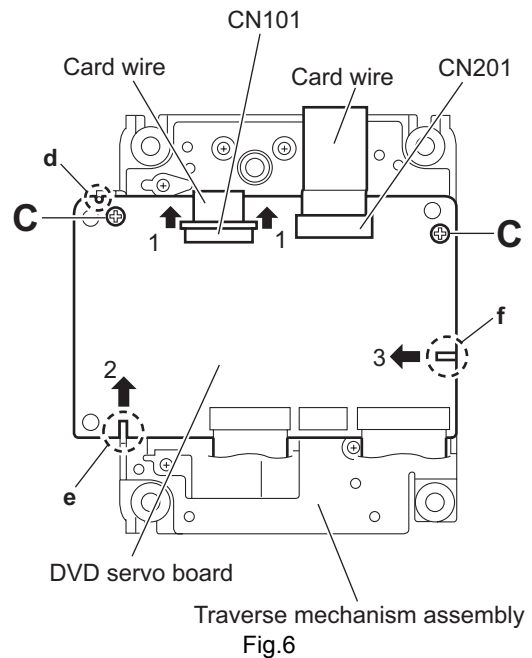
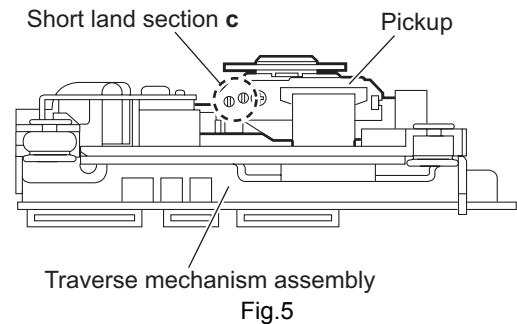


3.2.3 Removing the DVD servo board (See Figs.5 and 6)

- Prior to performing the following procedures, remove the traverse mechanism assembly.
- (1) From the side of the traverse mechanism assembly, solder the short land sections **c** on the pickup. (See Fig.5.)
- (2) From the bottom side of the traverse mechanism assembly, release the lock of the connector **CN101** on the DVD servo board in the direction of the arrow **1** and disconnect the card wire. (See Fig.6.)

Caution:

- Solder the short land sections **c** on the pickup before disconnecting the card wire from the connector **CN101** on the DVD servo board. If the card wire is disconnected without attaching solder, the pickup may be destroyed by static electricity. (See Figs.5 and 6.)
 - When attaching the DVD servo board, be sure to remove solders from the short land sections **c** after connecting the card wire to the connector **CN101** on the DVD servo board. (See Figs.5 and 6.)
- (3) Disconnect the card wire from the connector **CN201** on the DVD servo board. (See Fig.6.)
 - (4) Remove the two screws **C** attaching the DVD servo board. (See Fig.6.)
 - (5) Remove the DVD servo board from the engagement section **d** in an upward and remove the engagement section **f** in the direction 3 while removing the engagement section **e** in the direction of the arrow 2. (See Fig.6.)



3.2.4 Removing the pickup (See Figs.5,7 to 9)

- Prior to performing the following procedures, remove the traverse mechanism assembly.

- (1) From the side of the traverse mechanism assembly, solder the short land sections **c** on the pickup. (See Fig.5.)
- (2) Release the lock of the connector on the pickup in the direction of the arrow and disconnect the card wire. (See Fig.7.)

Caution:

- Solder the short land sections **c** on the pickup before disconnecting the card wire from the connector on the pickup. If the card wire is disconnected without attaching solder, the pickup may be destroyed by static electricity. (See Figs.5 and 7.)
- When attaching the pickup, be sure to remove solders from the short land sections **c** after connecting the card wire to the connector on the pickup. (See Figs.5 and 7.)

- (3) Remove the screw **D** attaching the plate and thrust spring. (See Fig.7.)
- (4) Remove the engagement section **g** attaching the plate to the feed holder and remove the plate with the thrust spring. (See Fig.7.)
- (5) Remove the shaft of the pickup from the section **h** on the traverse mechanism assembly and remove the shaft from the section **i** while moving it in the direction of the arrow. (See Fig.8.)
- (6) Remove the pickup from the section **j** of the traverse mechanism assembly and take out the pickup with the shaft. (See fig.8.)
- (7) From the bottom side of the pickup, remove the two screws **E** attaching the SW actuator and LEAD spring. (See Fig.9.)
- (8) Pull the shaft out of the pickup. (See Fig.9.)

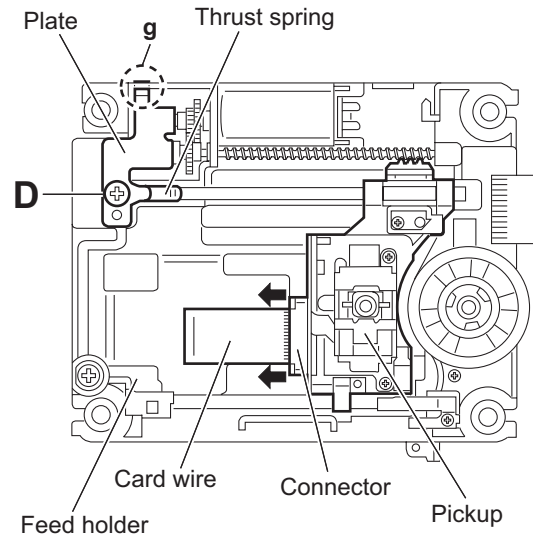


Fig.7

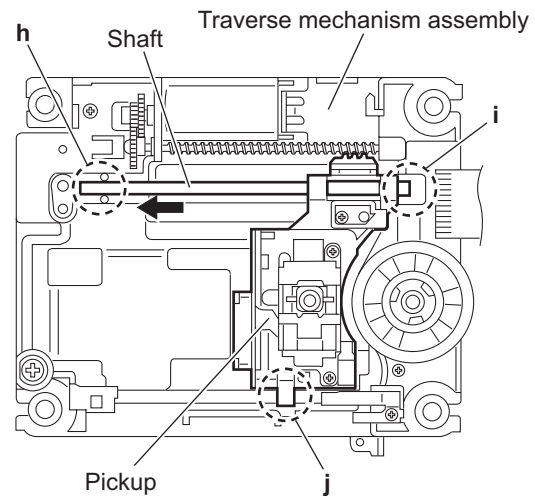


Fig.8

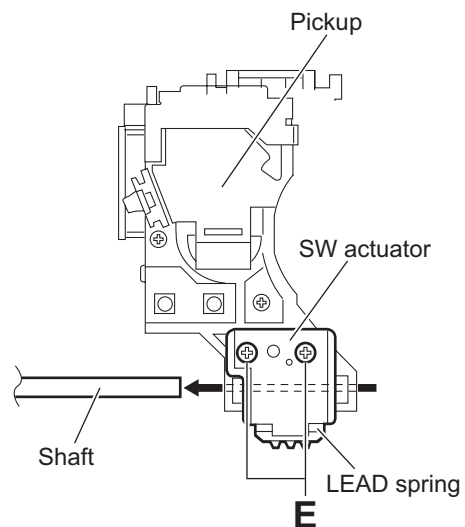


Fig.9

3.2.5 Attaching the pickup (See Figs.5,7 to 10)

- See "3.2.4 Removing the pickup".
 - (1) Attach the shaft, SW actuator and LEAD spring to the pickup. (See Fig.9.)
 - (2) Align the pickup to the section **j** of the traverse mechanism assembly first, and set the both ends of the shaft of the pickup in the sections **g** and **i** of the traverse mechanism assembly. (See Fig.8.)
 - (3) Attach the plate and thrust spring. (See Fig.7.)
 - (4) Remove solders from the short land sections **c** after connecting the card wire to the connector on the pickup. (See Figs.5 and 7.)
 - (5) Turn the feed gear **M** in the direction of the arrow **1** to move the pickup in the direction of the arrow **2**. (See Fig.10.)

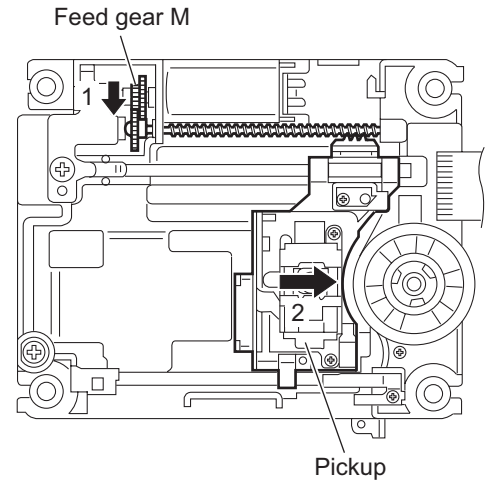


Fig.10

3.2.6 Removing the feed motor (See Figs.7,11 and 12)

- Prior to performing the following procedures, remove the traverse mechanism assembly.
 - (1) From the top side of the traverse mechanism assembly, remove the screw **D** attaching the plate and thrust spring. (See Fig.7.)
 - (2) Remove the engagement section **g** attaching the plate to the feed holder and remove the plate with the thrust spring. (See Fig.7.)
 - (3) Remove the wires from the soldered section **k** on the spindle motor board. (See Fig.11.)

Reference:

When attaching the feed motor, pass the wire through the section **m** on the spindle base. (See Fig.11.)

- (4) Remove the feed holder, feed motor, lead screw, feed gear **E** and feed gear **M** at the same time after removing the two screws **F** attaching the feed holder. (See Fig.11.)
- (5) From the side of the feed holder, remove the two screws **G** attaching the feed motor. (See Fig.12.)

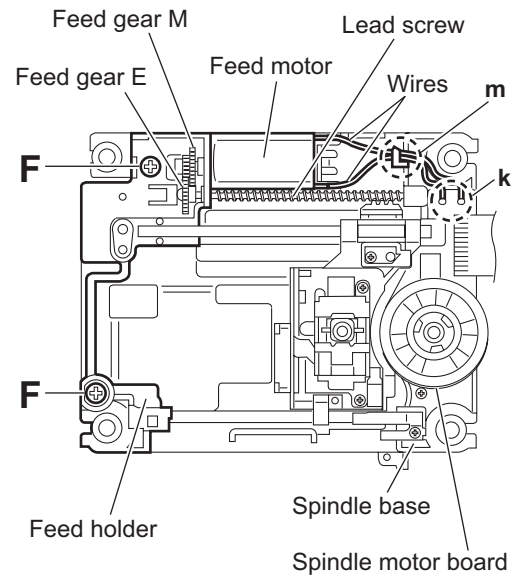


Fig.11

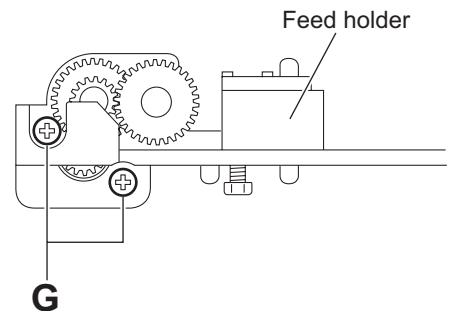


Fig.12

3.2.7 Removing the spindle motor board (See Figs.11 and 13)

- Prior to performing the following procedures, remove the traverse mechanism assembly and DVD servo board.
 - (1) From the top side of the traverse mechanism assembly, remove the wires from the soldered section **k** on the spindle motor board. (See Fig.11.)
 - (2) From the bottom side of the traverse mechanism assembly, remove the three screws **H** attaching the spindle motor board. (See Fig.13.)

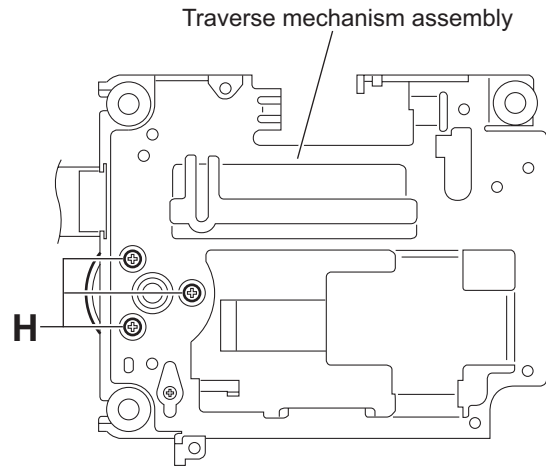


Fig.13

3.2.8 Removing the switch board (See Fig.14.)

- (1) From the bottom side of the DVD mechanism assembly, remove the wires from the soldered section **n** on the switch board.
- (2) Lift the switch board while pressing the claw **p** of the DVD mechanism assembly in the direction of the arrow and remove it from the section **q**.

Reference:

- Put the wires on the section **r** after attaching the switch board to the DVD mechanism assembly.
- Fix the claw **p** on the DVD mechanism assembly with bonds after attaching the switch board.

3.2.9 Removing the motor (See Figs.14 and 15)

- Prior to performing the following procedures, remove the tray assembly.
 - (1) From the bottom side of the DVD mechanism assembly, remove the wires from the soldered section **n** on the switch board. (See Fig.14.)
 - (2) From the top side of the DVD mechanism assembly, remove the belt from the motor pulley. (See Fig.15.)

Note:

Take care not to attach grease on the belt.

- (3) Remove the two screws **J** attaching the motor to the DVD mechanism assembly and take out the motor from the bottom side of the DVD mechanism assembly. (See Fig.15.)

Reference:

Put the wires on the section **r** after attaching the motor to the DVD mechanism assembly. (See Fig.14.)

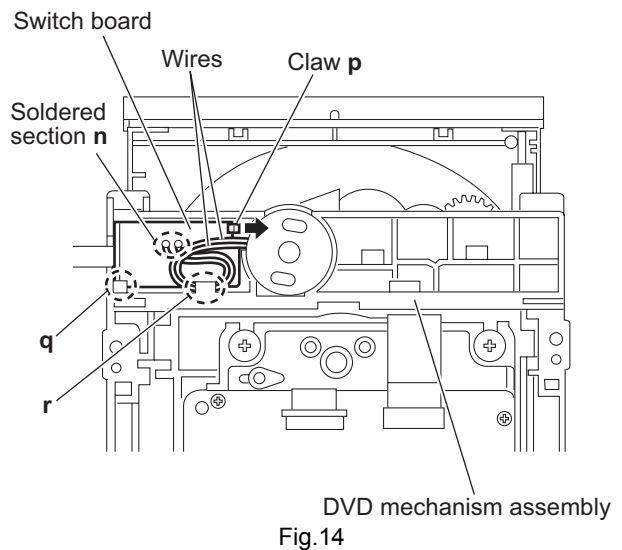


Fig.14

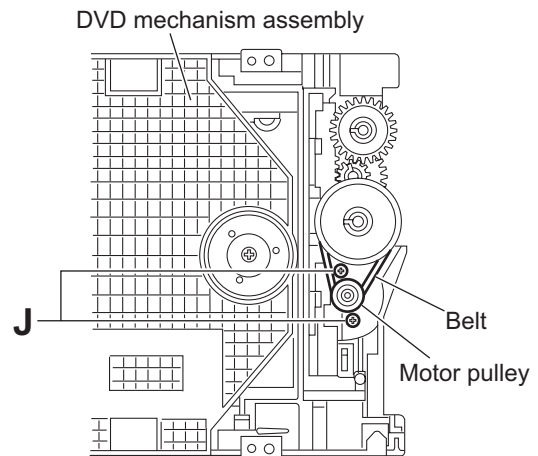


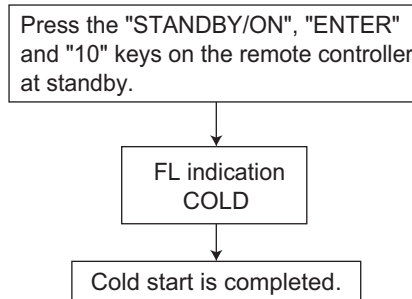
Fig.15

SECTION 4 ADJUSTMENT

4.1 Special mode 1

4.1.1 Cold start

Cold start processing.



4.1.2 Tray lock

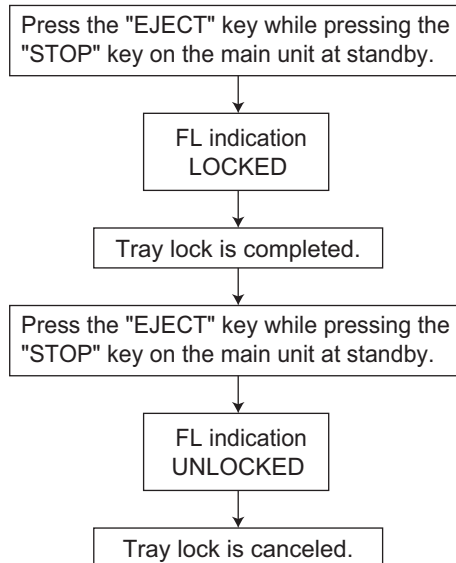
Loader-mecha is locked.

EJECT processing isn't done by pushing EJECT key at tray lock on state.

Then display to LOCKED / UNLOCKED.

EJECT is pushed, pushing STOP again, tray lock is off.

Back up to tray locked ON/OFF.



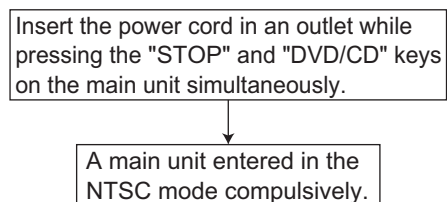
4.1.3 Compulsive NTSC mode

Into the compulsive NTSC mode.

Hereafter, only first power-on, start by NTSC unrelated NTSEL-SW.

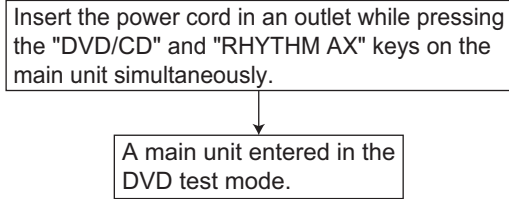
(Send command to module)

Mode is clear at POWER OFF.



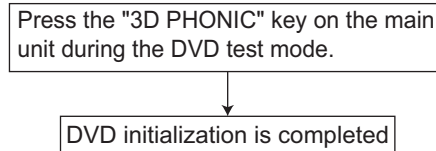
4.1.4 DVD test mode

Into the DVD test mode. Test mode contents is refer to module spec.
DVD test mode is canceled by POWER OFF and except source DVD.



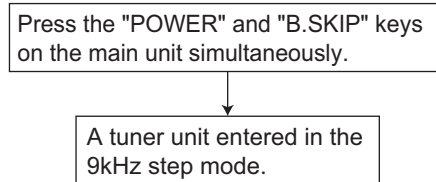
4.1.5 DVD initialize

DVD module initialized.
LCD segment is light on at initialize completed.



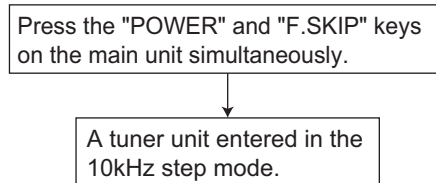
4.1.6 TUNER AM switch to 9kHz-step only U version

AM frequency change to 9kHz at U-version.

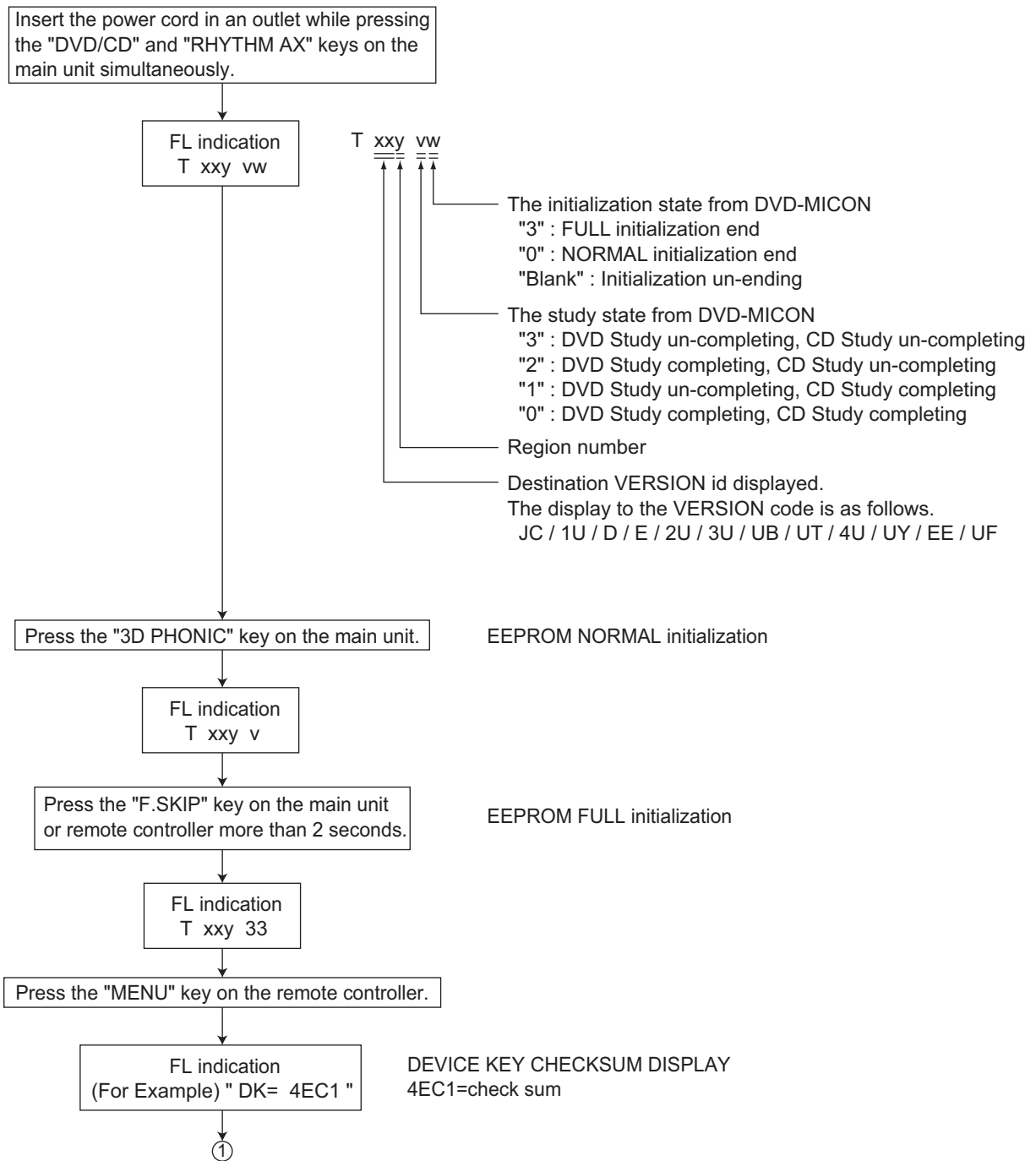


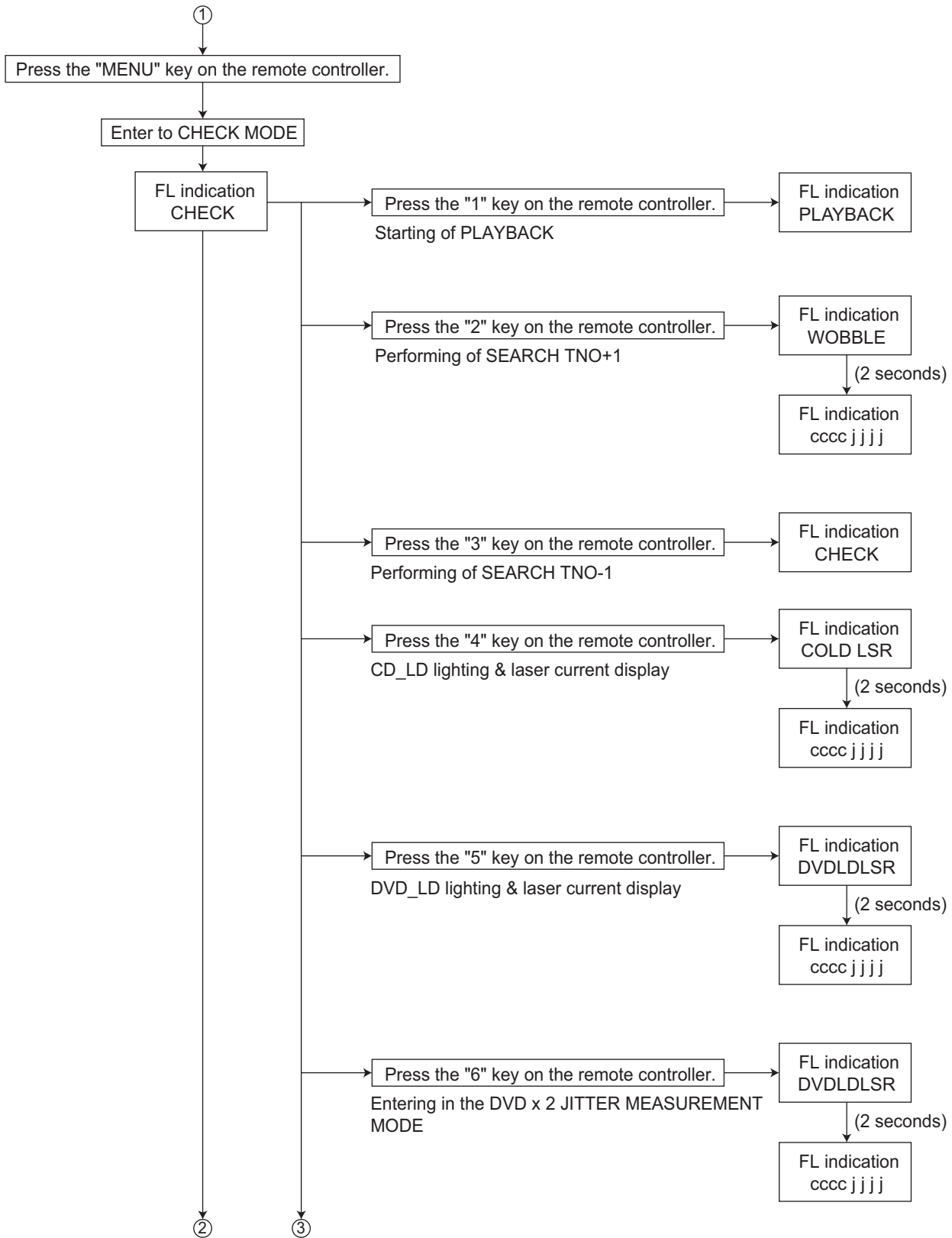
4.1.7 TUNER AM switch to 10kHz-step only U version

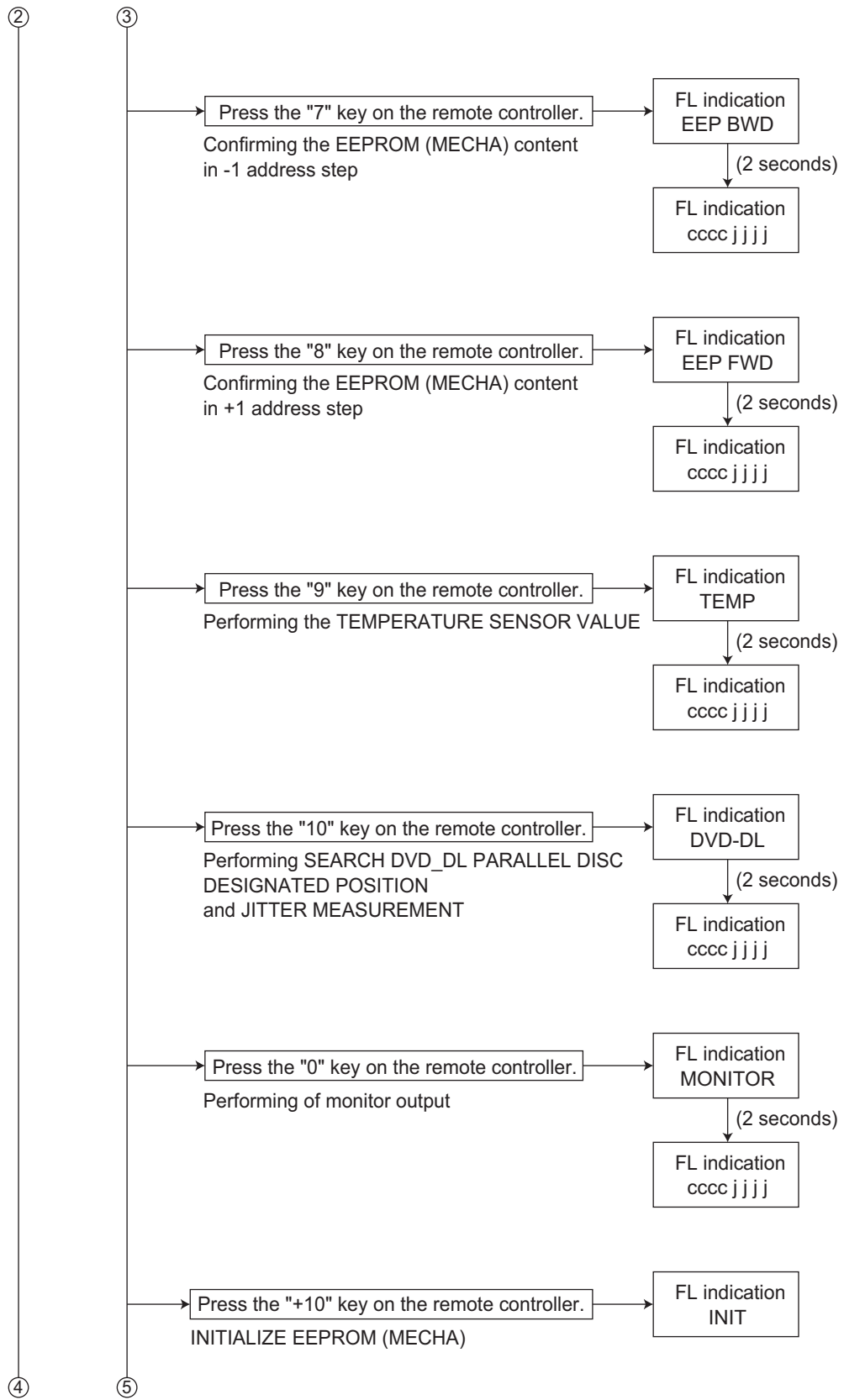
AM frequency change to 10kHz at U-version.

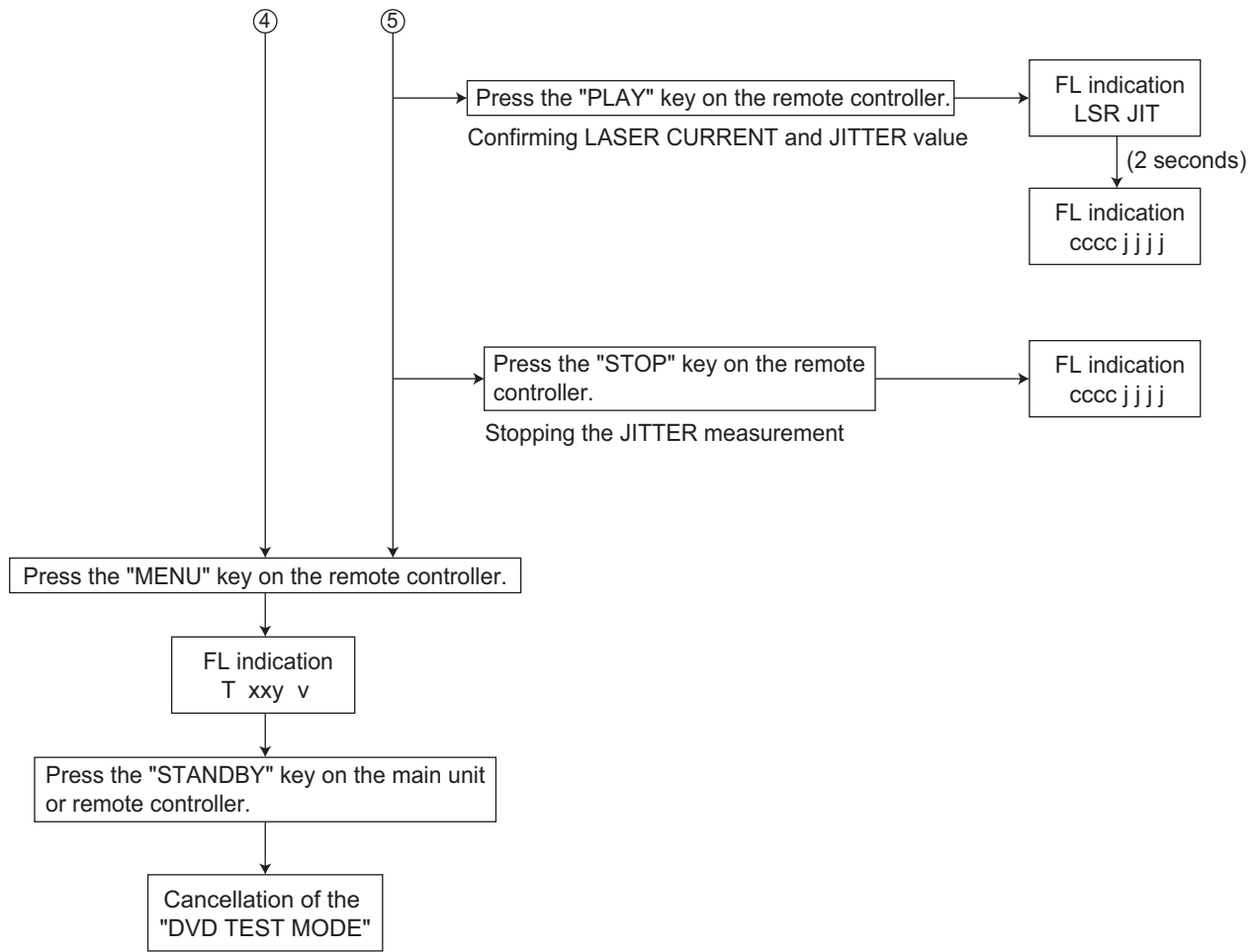


4.2 DVD TEST MODE









SECTION 5 TROUBLESHOOTING

This service manual does not describe TROUBLESHOOTING.



JVC

Victor Company of Japan, Limited
AV & MULTIMEDIA COMPANY AUDIO/VIDEO SYSTEMS CATEGORY 10-1,1chome,Ohwatari-machi,Maebashi-city,371-8543,Japan

(No.MB229)

JVC

SCHEMATIC DIAGRAMS

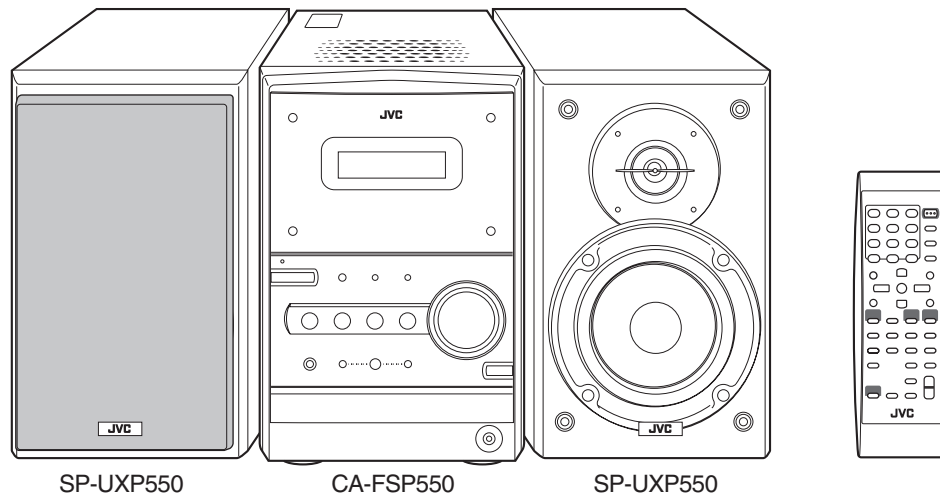
COMPACT COMPONENT SYSTEM

FS-P550

CD-ROM No.SML200405

Area suffix

C ----- Canada



SP-UXP550

CA-FSP550

SP-UXP550



AV COMPU LINK

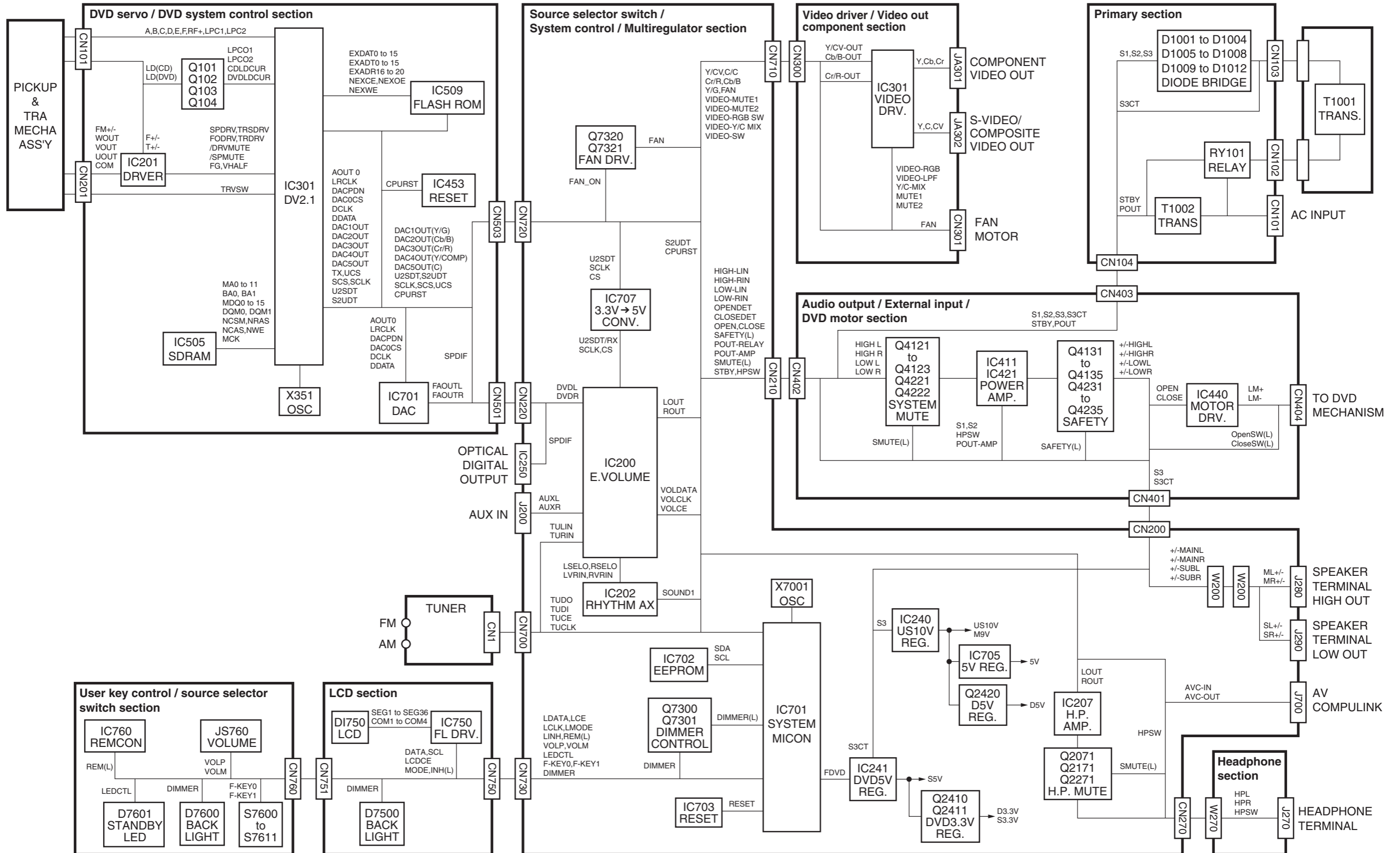
Contents

Block diagram	2-1
Standard schematic diagrams	2-2
Printed circuit boards	2-9 to 11

In regard with component parts appearing on the silk-screen printed side (parts side) of the PWB diagrams, the parts that are printed over with black such as the resistor (■), diode (⬤) and ICP (●) or identified by the "▲" mark nearby are critical for safety.

(This regulation does not correspond to J and C version.)

Block diagram



Standard schematic diagrams

■ Primary with mains transformer section

EXPLANATION OF OVERALL OF SCHEMATIC		
MODEL : FS-P550/UX-P550		
SHEET NUMBER	MODEL NUMBERS TO BE APPLIED	CIRCUITS DESCRIPTION
1	FS-P550/UX-P550	PRIMARY WITH MAINS TRANSFORMER
2	FS-P550/UX-P550	AUDIO OUTPUT/EXTERNAL INPUT DVD MOTOR
3	FS-P550/UX-P550	MULTIREGULATOR/LPF/RHYTHM AX
4	FS-P550/UX-P550	SOURCE SELECTOR SWITCH LCD DISPLAY/SYSTEM CONTROL/USERS KEY CONTROL
5	FS-P550/UX-P550	VIDEO DRIVER/VIDEO OUT COMPONENT
6	FS-P550/UX-P550	DVD SERVO AND DVD SYSTEM CONTROL 1/2
7	FS-P550/UX-P550	DVD SERVO AND DVD SYSTEM CONTROL 2/2

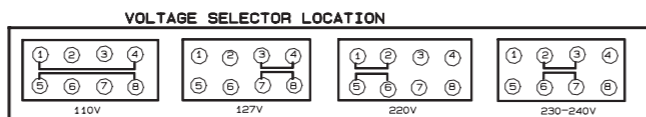
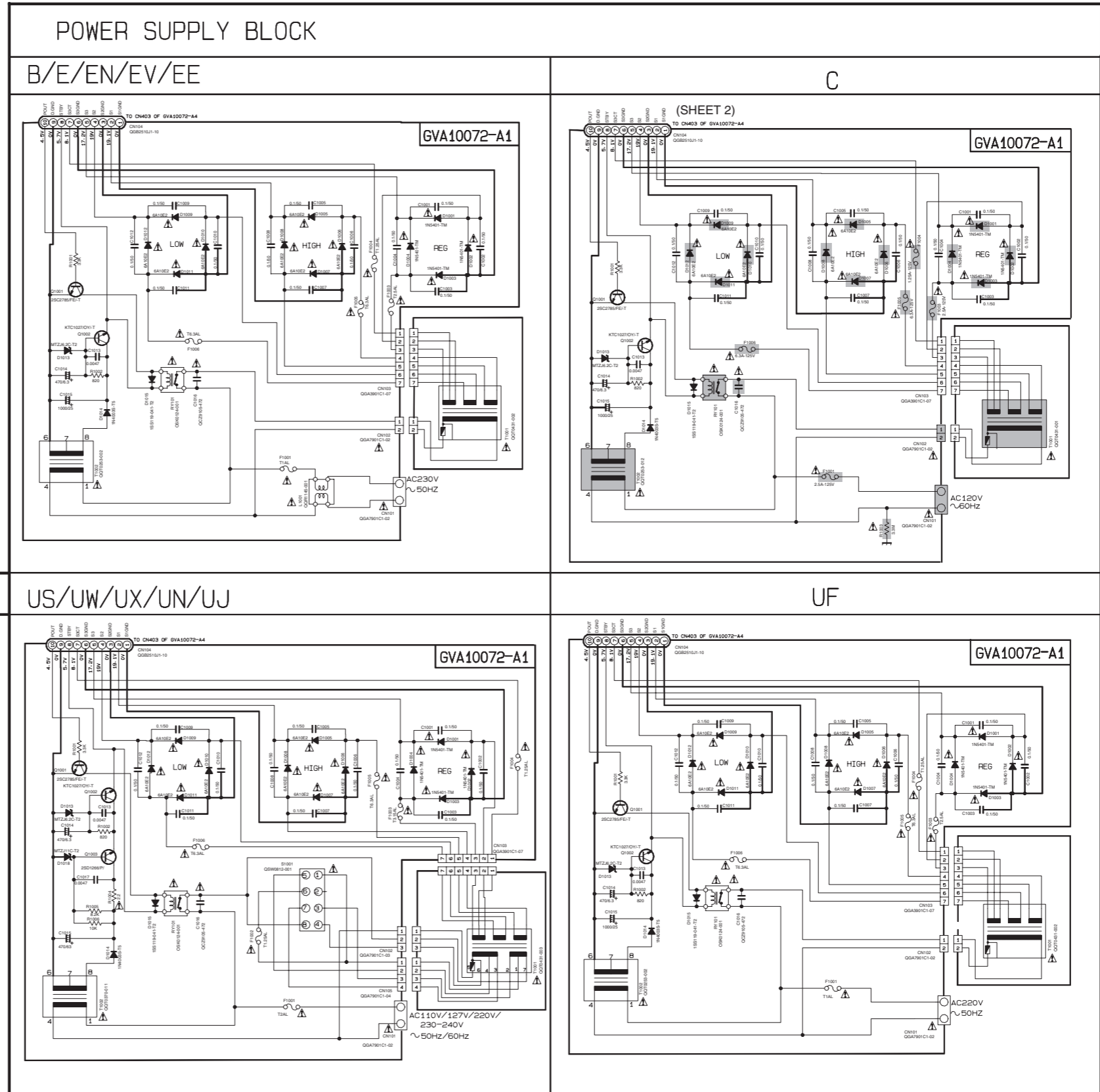
*NOTE : MARK () IS TO SHOW DEVIATION IN VERSIONS.
DETAILS ARE EXPLAINED NEAR MARK.

VERSION CODES

C : CANADA
 B : U.K
 E : CONTINENTAL EUROPE
 EN : NORDIC COUNTRIES
 EV : EASTERN EUROPE
 UX : SAUDI ARABIA
 UF : CHINA
 UW : SOUTH AMERICA
 UJ : US ARMY
 EE : RUSSIA
 UB : HONG KONG
 UN : INDONESIA
 US : SINGAPORE AND UNIVERSAL
 EXCEPT ALL OF ABOVE

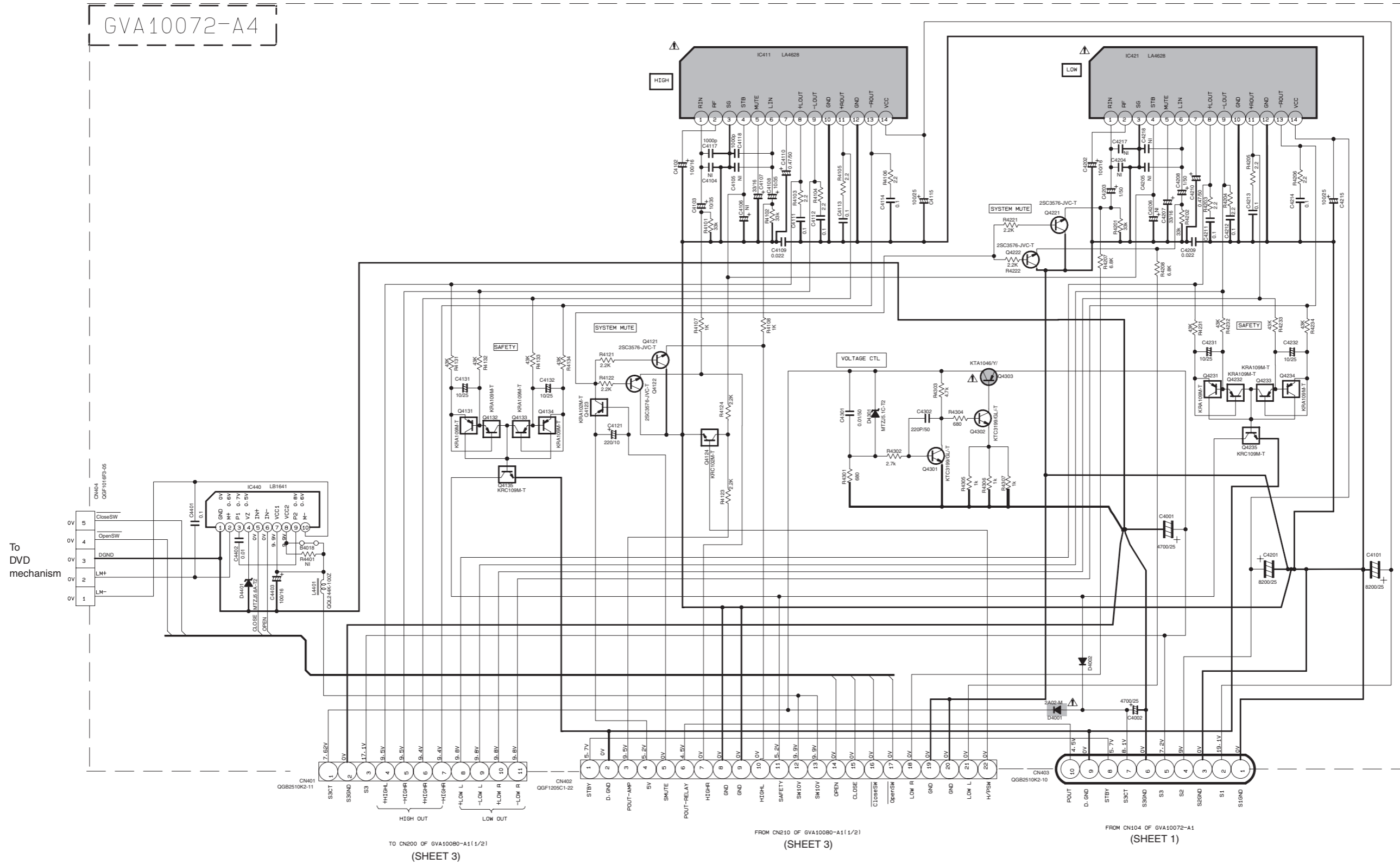
NOTES

- VOLTAGES ARE MEASURED USING A DIGITAL VOLTMETER OR AN OSCILLOSCOPE WITHOUT INPUT SIGNAL IN CD STOP MODE CONDITION UNLESS OTHERWISE SPECIFIED
- ALL RESISTORS ARE 1/4W 5% CARBON RESISTOR.
 ALL CAPACITORS ARE 50V CERAMIC CAPACITOR OR 50V MYLAR CAPACITOR UNLESS OTHERWISE SPECIFIED.
 ALL RESISTANCE VALUES ARE IN OHM(Ω).
 ALL CAPACITANCE VALUES ARE IN PICO(FP).
 ALL E-CAPACITORS ARE SHOWN IN THE FORM OF CAPACITANCE(μF)/RATED VOLTAGE (V).
 ALL DIODES ARE 1N5119/541-T2 TYPE UNLESS SPECIFIED.
 POLYPROPYLENE CAPACITOR
 50V 5% MYLAR CAPACITOR OR 50V 5% 35MM FILM CAPACITOR



▲ Parts are safety assurance parts.
When replacing those parts make sure to use the specified one.

■ Audio output / External input / DVD motor section



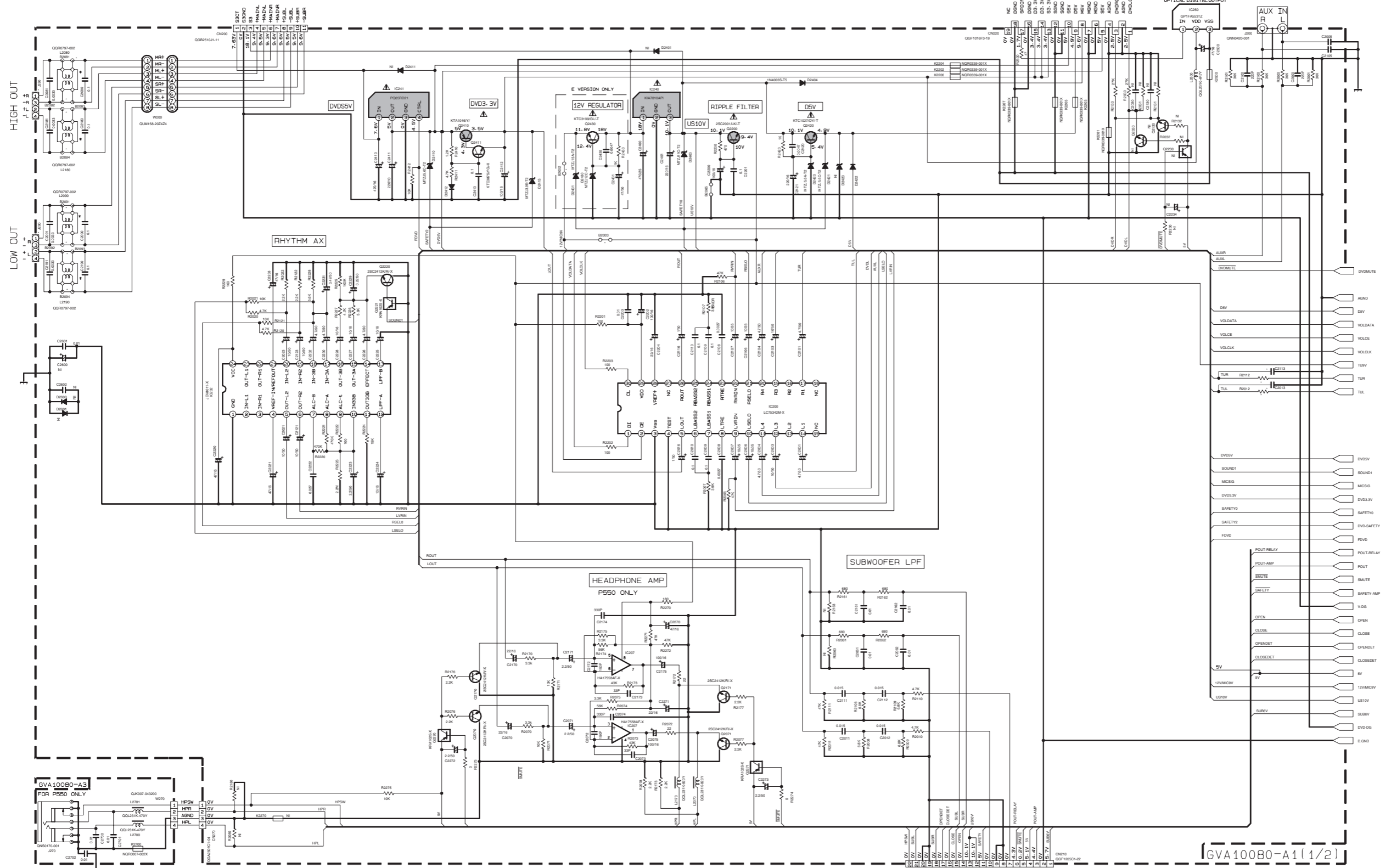
⚠ Parts are safety assurance parts. When replacing those parts make sure to use the specified one.

- NOTES
- VOLTAGES ARE DC-MEASURED USING A DIGITAL VOLTMETER OR AN OSCILLOSCOPE WITHOUT INPUT SIGNAL IN CD STOP MODE CONDITION UNLESS OTHERWISE SPECIFIED.
 - ALL RESISTORS ARE 1/8W 5% CARBON RESISTOR. ALL CAPACITORS ARE 50V CERAMIC CAPACITOR OR 50V MYLAR CAPACITOR. ALL RESISTANCE VALUES ARE IN OHM(Ω). ALL CAPACITANCE VALUES ARE IN nF(pF). ALL E-CAPACITORS ARE SHOWN IN THE FORM OF CAPACITANCE(μF)/RATED VOLTAGE (V). ALL DIODES ARE 1SS119-041-T2 TYPE UNLESS SPECIFIED.
- POLYPROPYLENE CAPACITOR
50V ±5% MYLAR CAPACITOR OR 50V 5% 1/4IN FILM CAPACITOR

■ Multiregulator / LPF / PHYTHM AX section

(SHEET 2)
FROM CN401 OF
GVA10072-A4

(SHEET 7)
TO CN501 OF LVA10452-211B



(SHEET 4)

NOTES
1. VOLTAGES ARE DC-MEASURED WITH A DIGITAL VOLT METER OR OSCILLOSCOPE WITHOUT INPUT SIGNAL. CONDITION --- CD STOP MODE
2. UNLESS OTHERWISE SPECIFIED:
ALL RESISTORS ARE 1/4W ± 5% CARBON FILM RESISTOR OR 0.063W ± 5% THICK FILM CHIP RESISTOR
ALL CAPACITORS ARE CERAMIC CAPACITOR OR MYLAR CAPACITOR.

ALL RESISTANCE VALUES ARE IN OHM (Ω).
ALL CAPACITANCE VALUES ARE IN F (pF).
ALL E-CAPACITORS ARE SHOWN IN THE FORM OF CAPACITANCE (μF) RATED VOLTAGE (V).
ALL INDUCTANCE VALUES ARE IN μH (mH).
ALL DIODES ARE 1SS149-041-T2
ALL FERRITE BEADS ARE GQR0621-001Z

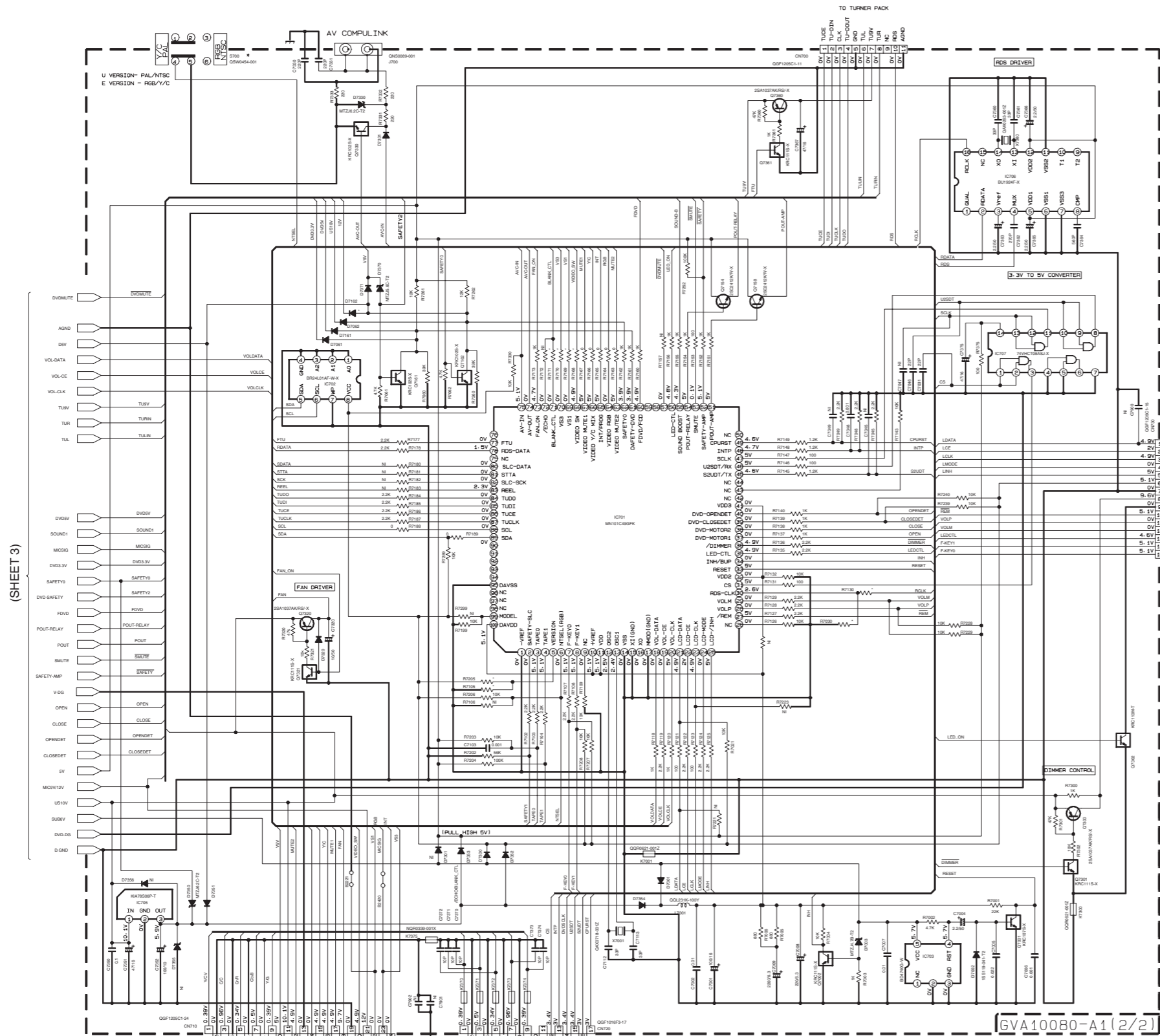
* REMARKS

	B/E/EN/EE	C	UF
B2002	USE	-	-
B2003	-	-	-
L2080/L2180 L2090/L2190	USE	-	USE
B2081-B2084 B2091-B2094	-	USE	-
J280	QNB0172-001	QNB0172-002	QNB0172-001
J290	QNB0038-001	QNB0194-001	QNB0038-001
R2012/R2112	1K	20K	20K
C2013/C2113	4700p	560p	560p

TO CN402 OF GVA10072-A4
(SHEET 2)

▲ Parts are safety assurance parts.
When replacing those parts make
sure to use the specified one.

Source selector switch / LCD display / System control / Users key control section



(SHEET 3)

GVA10080-A1(2/2)

TO CN300 OF GVA10073-A1

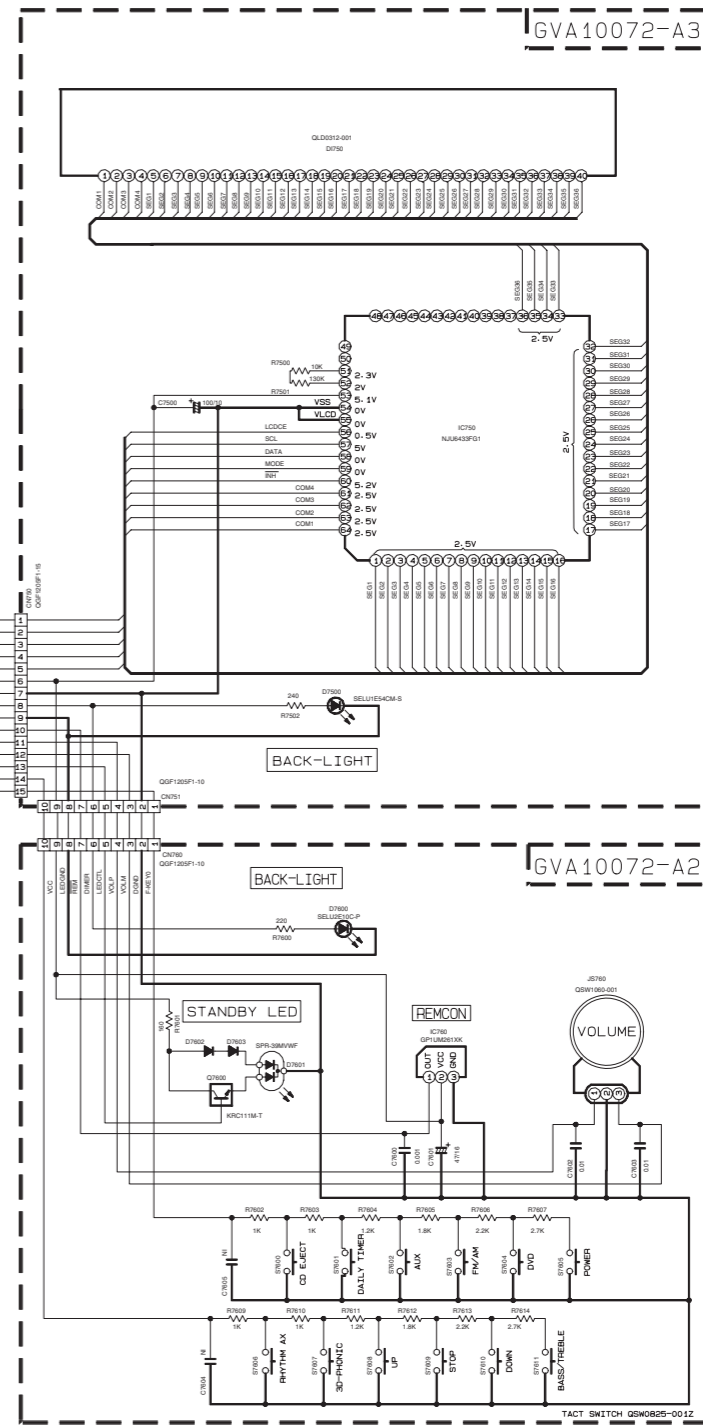
(SHEET 5)

FROM CN503 OF LVA10452-211B(2/2)

(SHEET 7)

*** REMARKS**

R	B/E/EN/VE/EE	C	UF
R7105	10K	-	10K
R7205	82K	27K	3.3K
S700	USE	-	USE
D7162	USE	-	-
R7030	-	10K	10K
R7130	2.2K	-	-
R7158	0	-	-
R7169	0	-	-
R7170	0	-	-
R7171	0	-	-



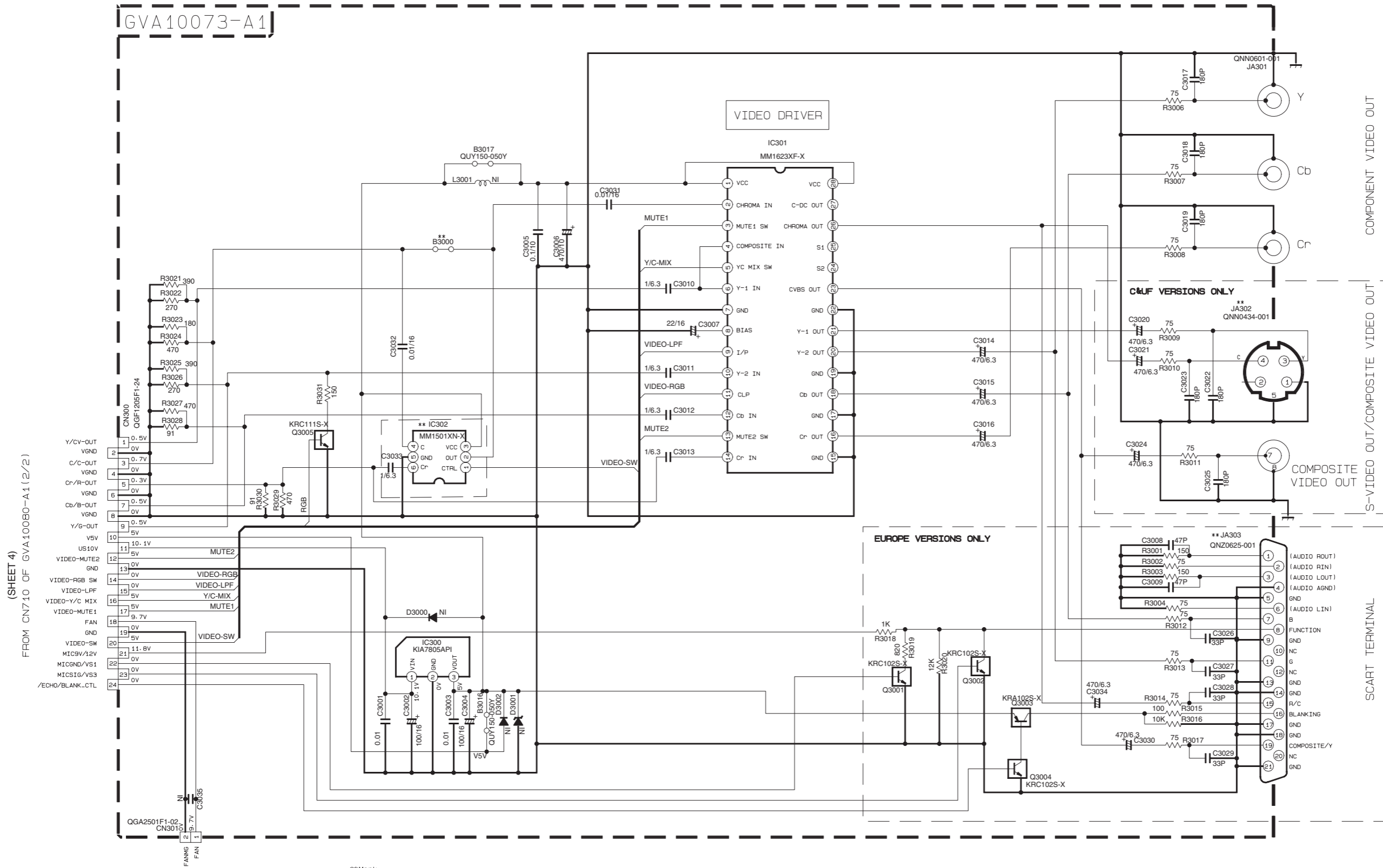
GVA10072-A3

GVA10072-A2

NOTES

- VOLTAGES ARE DC-MEASURED WITH A DIGITAL VOLT METER OR OSCILLOSCOPE WITHOUT INPUT SIGNAL. CONDITION — CD STOP MODE
- UNLESS OTHERWISE SPECIFIED, ALL RESISTORS ARE 1/4W ± 5% CARBON FILM RESISTOR OR 0.063W ± 5% THICK FILM CHIP RESISTOR
- ALL CAPACITORS ARE CERAMIC CAPACITOR OR MYLAR CAPACITOR.
- ALL RESISTANCE VALUES ARE IN OHM (Ω).
- ALL CAPACITANCE VALUES ARE IN PICO-FARAD (pF).
- ALL E. CAPACITORS ARE SHOWN IN THE FORM OF CAPACITANCE (μF)/RATED VOLTAGE (V).
- ALL INDUCTANCE VALUES ARE IN μH (μH).
- ALL DIODES ARE 1SS119-041-72
- ALL FERRITE BEADS ARE NGR007-002X

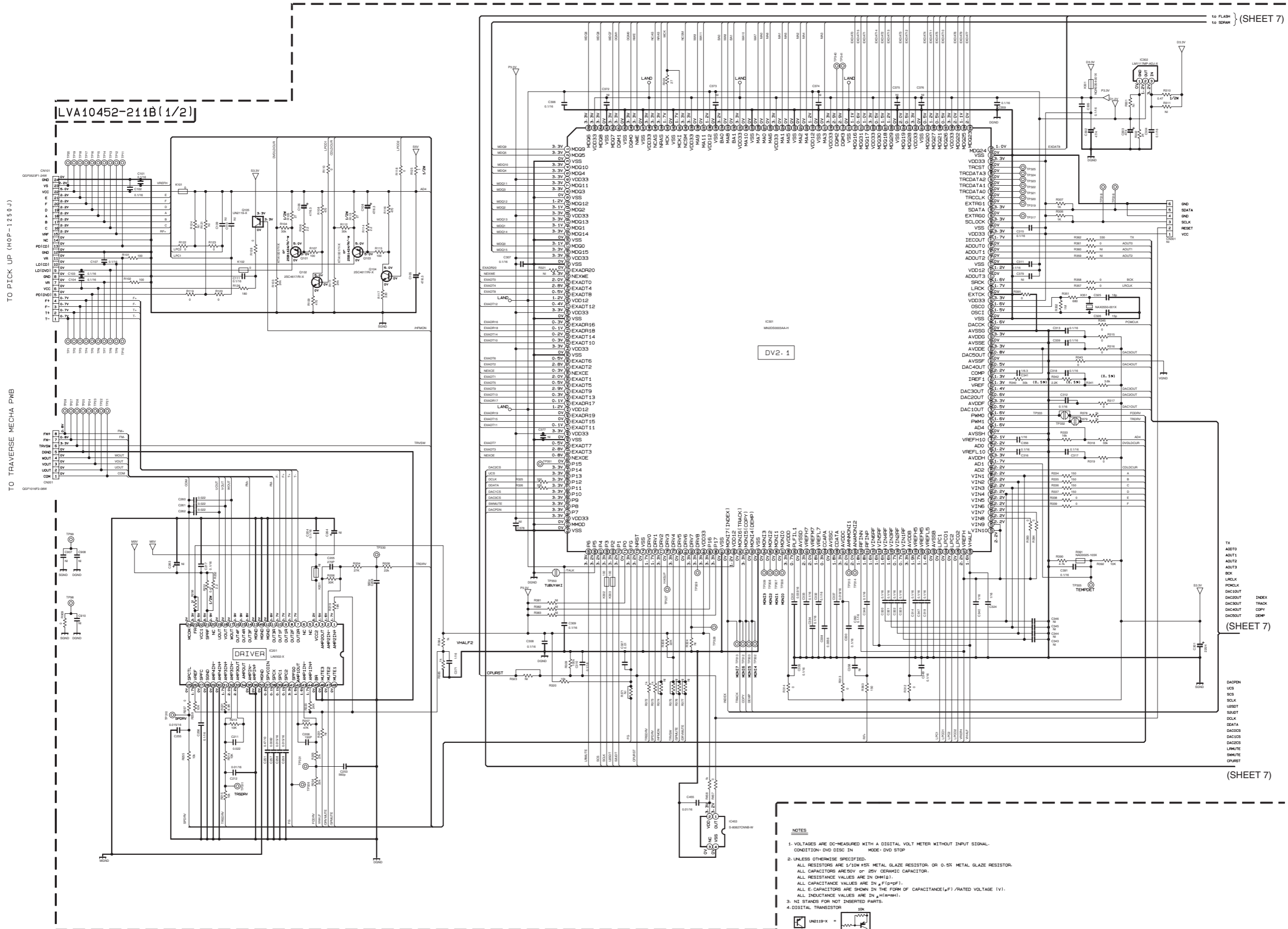
Video driver / Video out component section



**Mark

	B/E/EN/EV/EE	C/UF
IC302	USE	-
B3000	-	USE
JA302	-	USE
JA303	USE	-

DVD servo and DVD system control section (1/2)



TO FLASH } (SHEET 7)
TO SERVO }

LVA10452-211B(1/2)

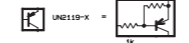
DV2. 1

(SHEET 7)

(SHEET 7)

NOTES

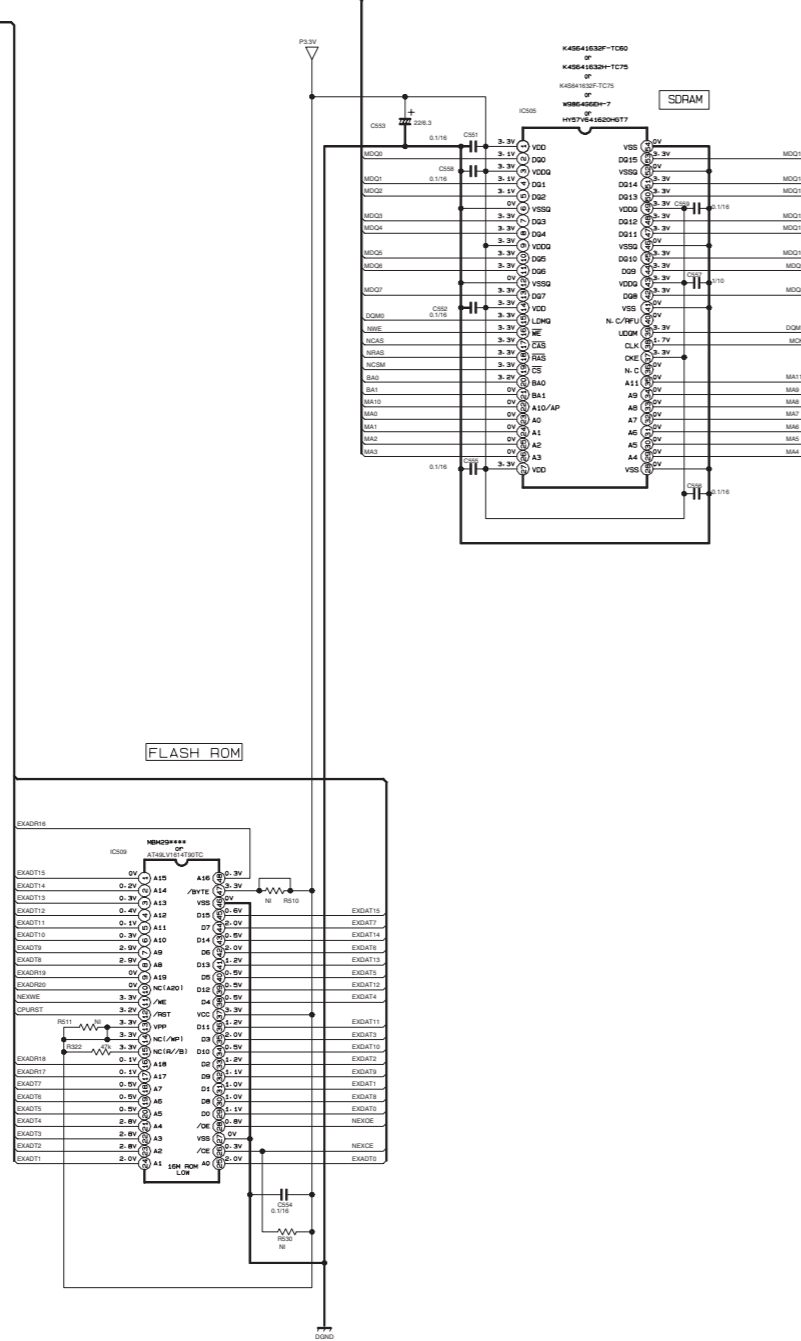
1. VOLTAGES ARE DC-MEASURED WITH A DIGITAL VOLT METER WITHOUT INPUT SIGNAL. CONDITION: DVD DISC IN MODE: DVD STOP
2. UNLESS OTHERWISE SPECIFIED, ALL RESISTORS ARE 1/10W ±5% METAL GLAZE RESISTOR OR 0.5W METAL GLAZE RESISTOR. ALL CAPACITORS ARE 50V OR 25V CERAMIC CAPACITOR. ALL RESISTANCE VALUES ARE IN Ω(k)(g). ALL CAPACITANCE VALUES ARE IN μF(p)(n). ALL E-CAPACITORS ARE SHOWN IN THE FORM OF CAPACITANCE(μF)/RATED VOLTAGE (V). ALL INDUCTANCE VALUES ARE IN μH(m)(mH).
3. NI STANDS FOR NOT INSERTED PARTS.
4. DIGITAL TRANSISTOR



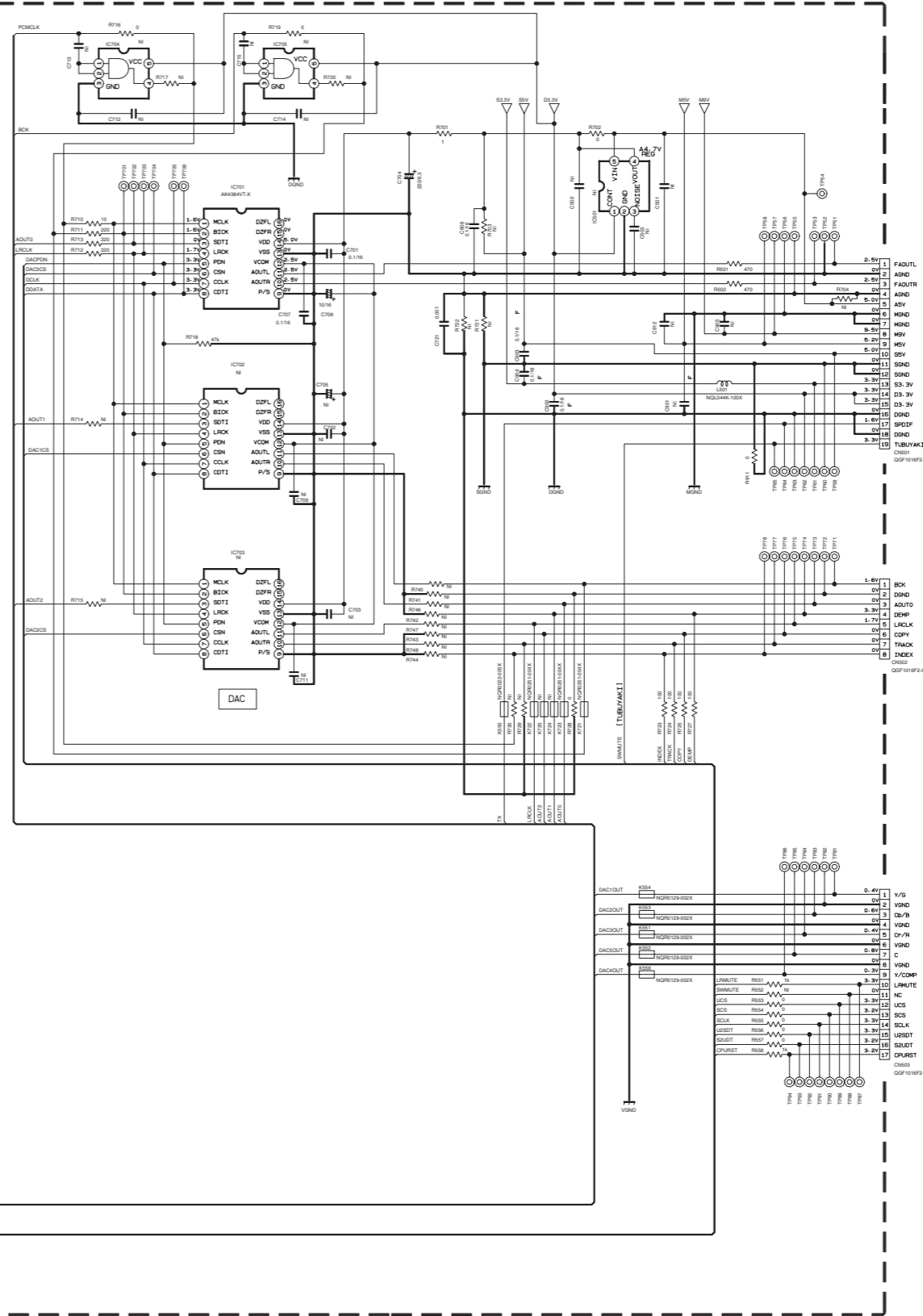
DVD servo and DVD system control section (2/2)

LVA10452-211B(2/2)

(SHEET 6)



(SHEET 6)



FROM CN220 OF GVA100B0-A1(1/2)

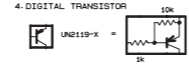
(SHEET 3)

TO CN720 OF GVA100B0-A1(2/2)

(SHEET 4)

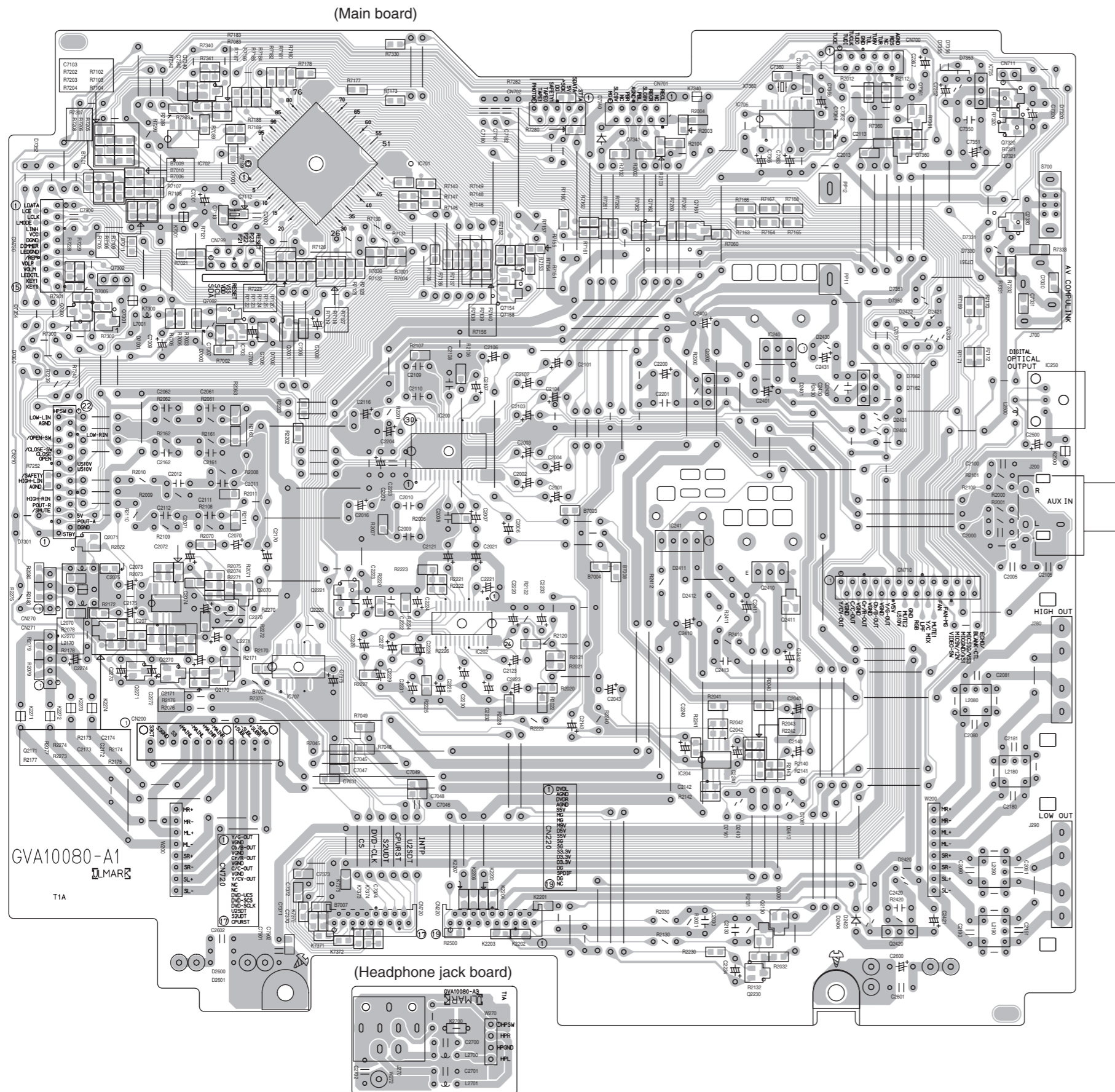
NOTES

- VOLTAGES ARE DC-MEASURED WITH A DIGITAL VOLT METER WITHOUT INPUT SIGNAL. CONDITION: DVD DISC IN. MODE: DVD STOP
- UNLESS OTHERWISE SPECIFIED. ALL RESISTORS ARE 1/10W ±5% METAL GLAZE RESISTOR, OR 0.5X METAL GLAZE RESISTOR. ALL CAPACITORS ARE 50V OF ±5V CERAMIC CAPACITOR. ALL RESISTANCE VALUES ARE IN OHM(Ω). ALL CAPACITANCE VALUES ARE IN μF(μF) OR pF(pF). ALL E-CAPACITORS ARE SHOWN IN THE FORM OF CAPACITANCE(μF)/RATED VOLTAGE (V). ALL INDUCTANCE VALUES ARE IN μH(μH).
- NI STANDS FOR NOT INSERTED PARTS.
- DIGITAL TRANSISTOR

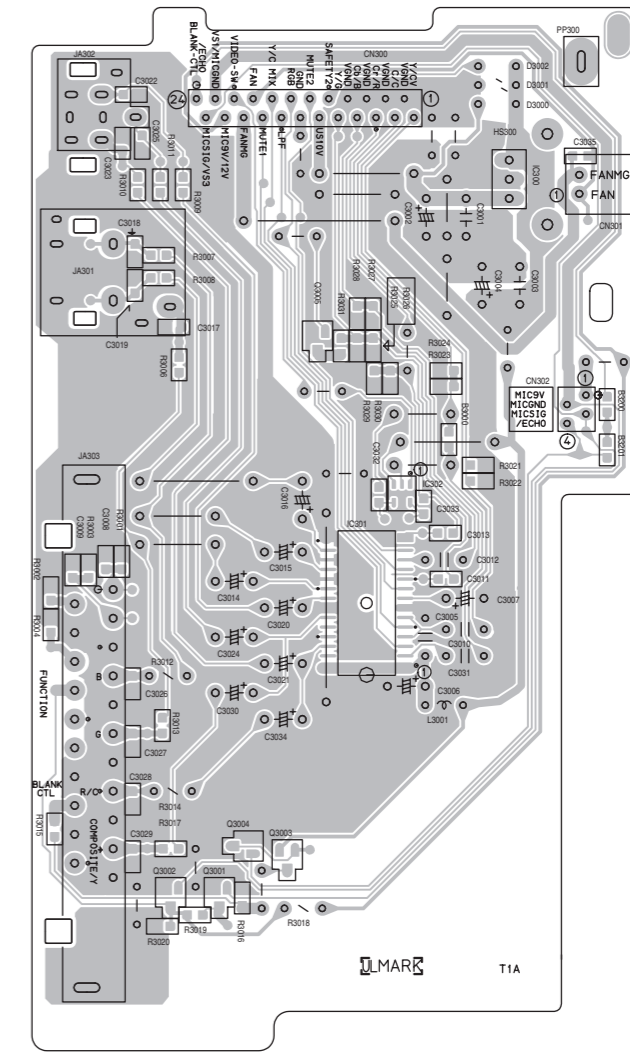


Printed circuit boards

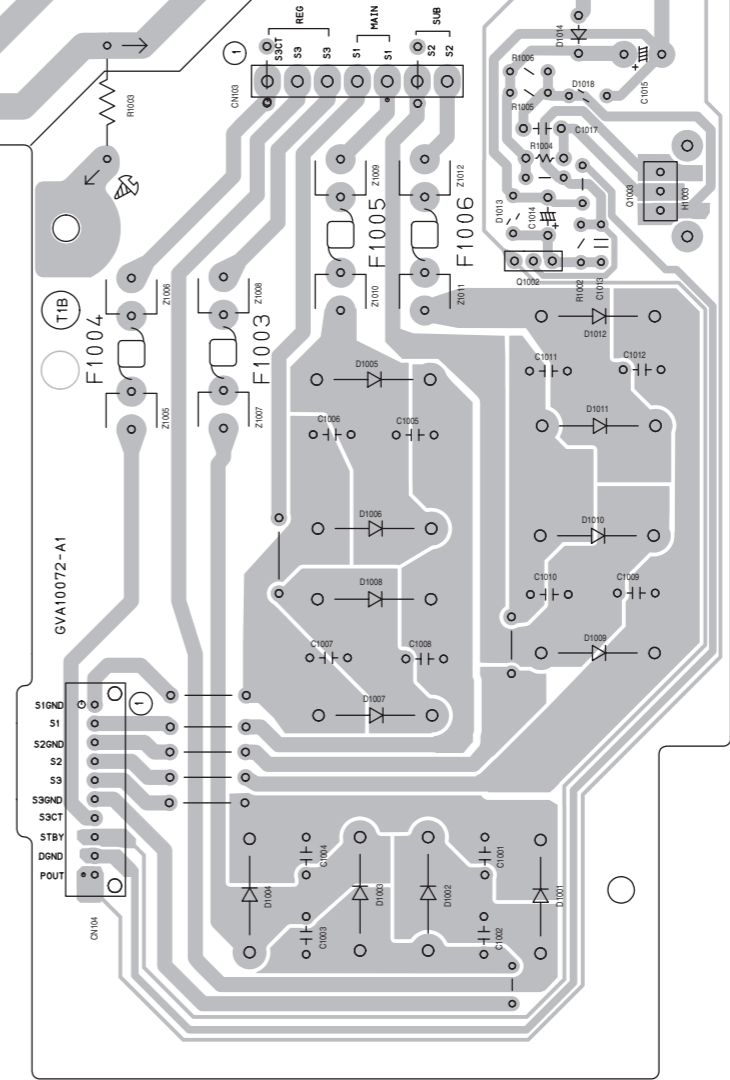
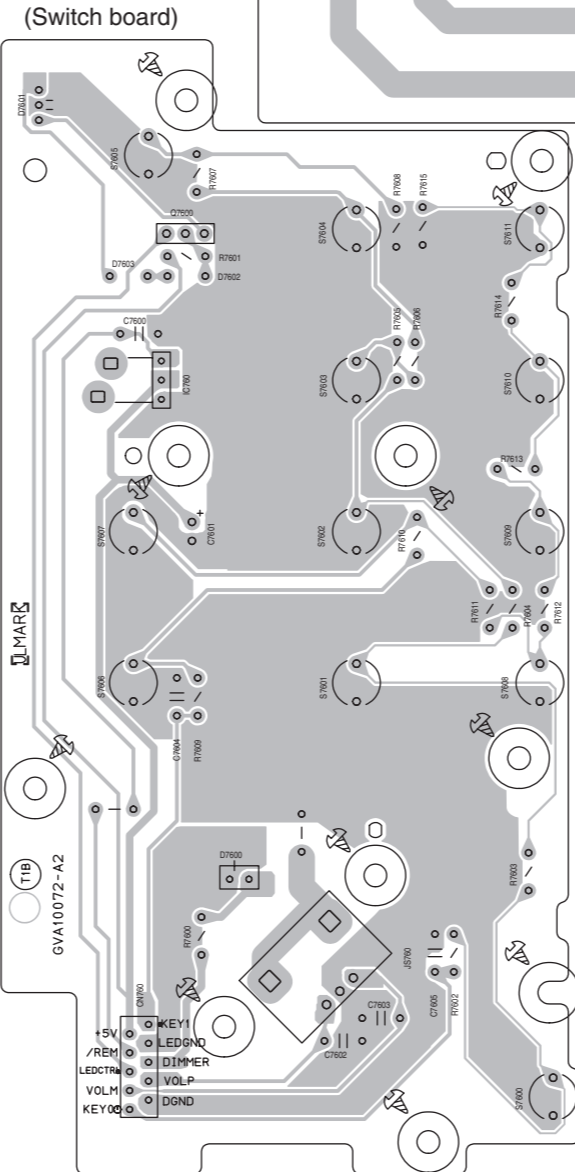
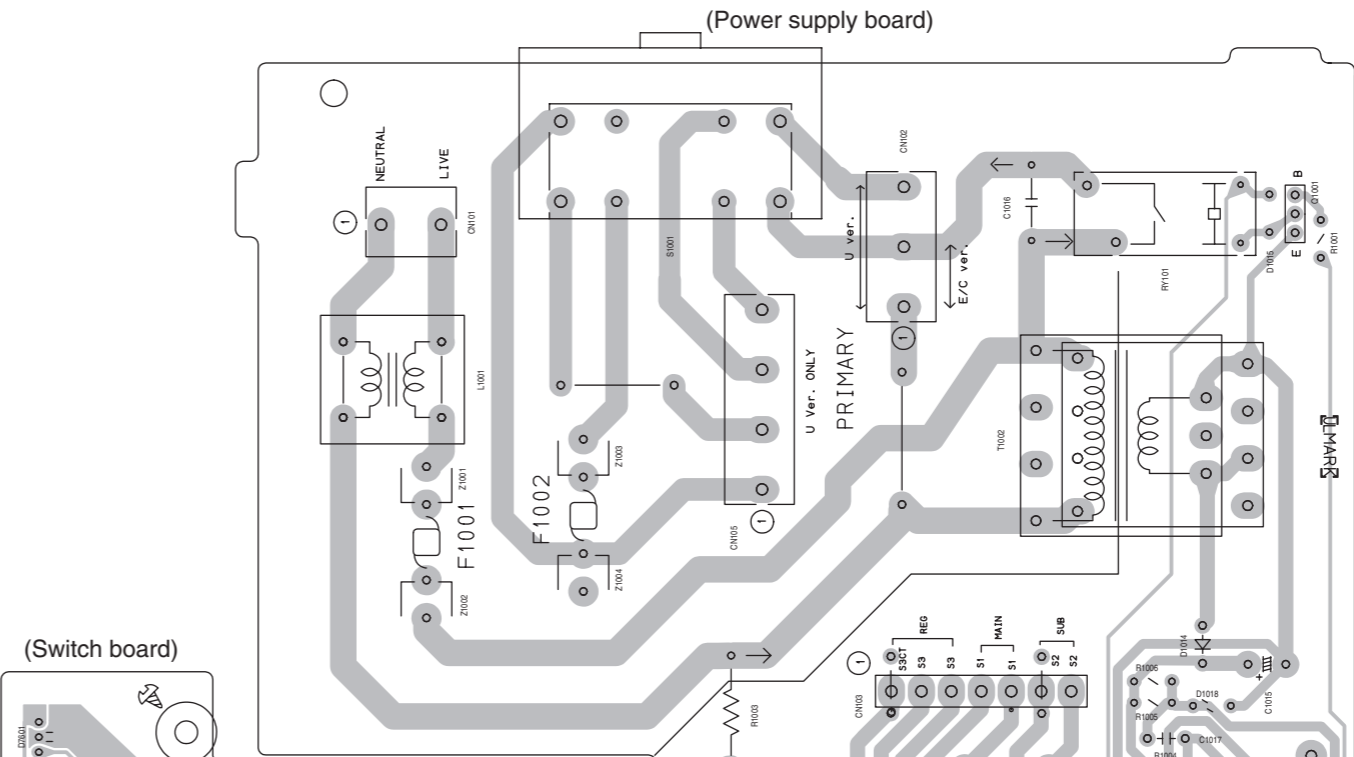
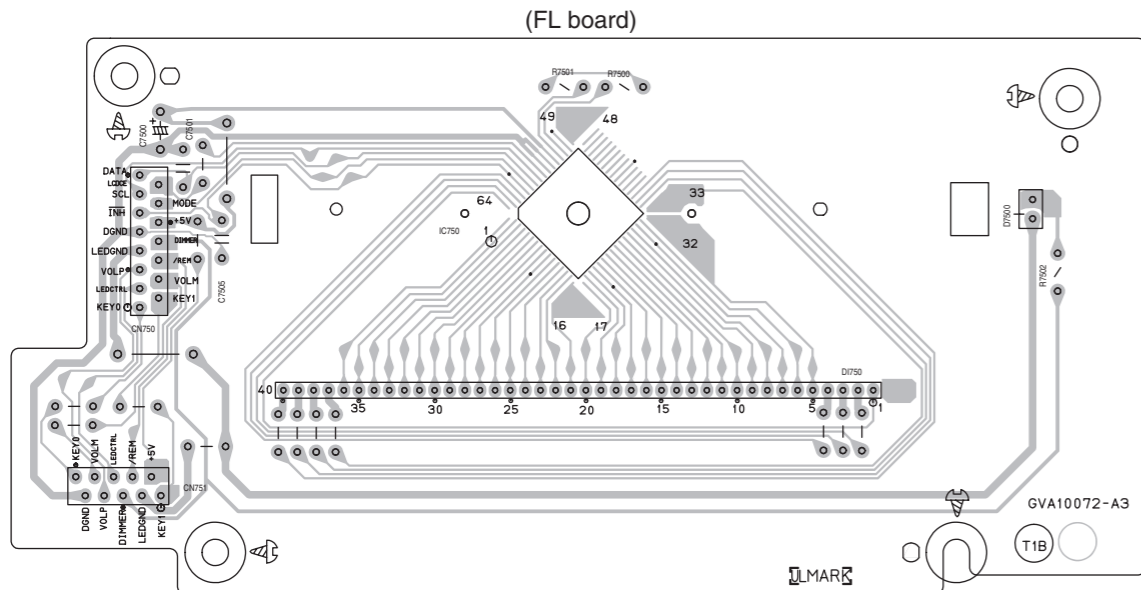
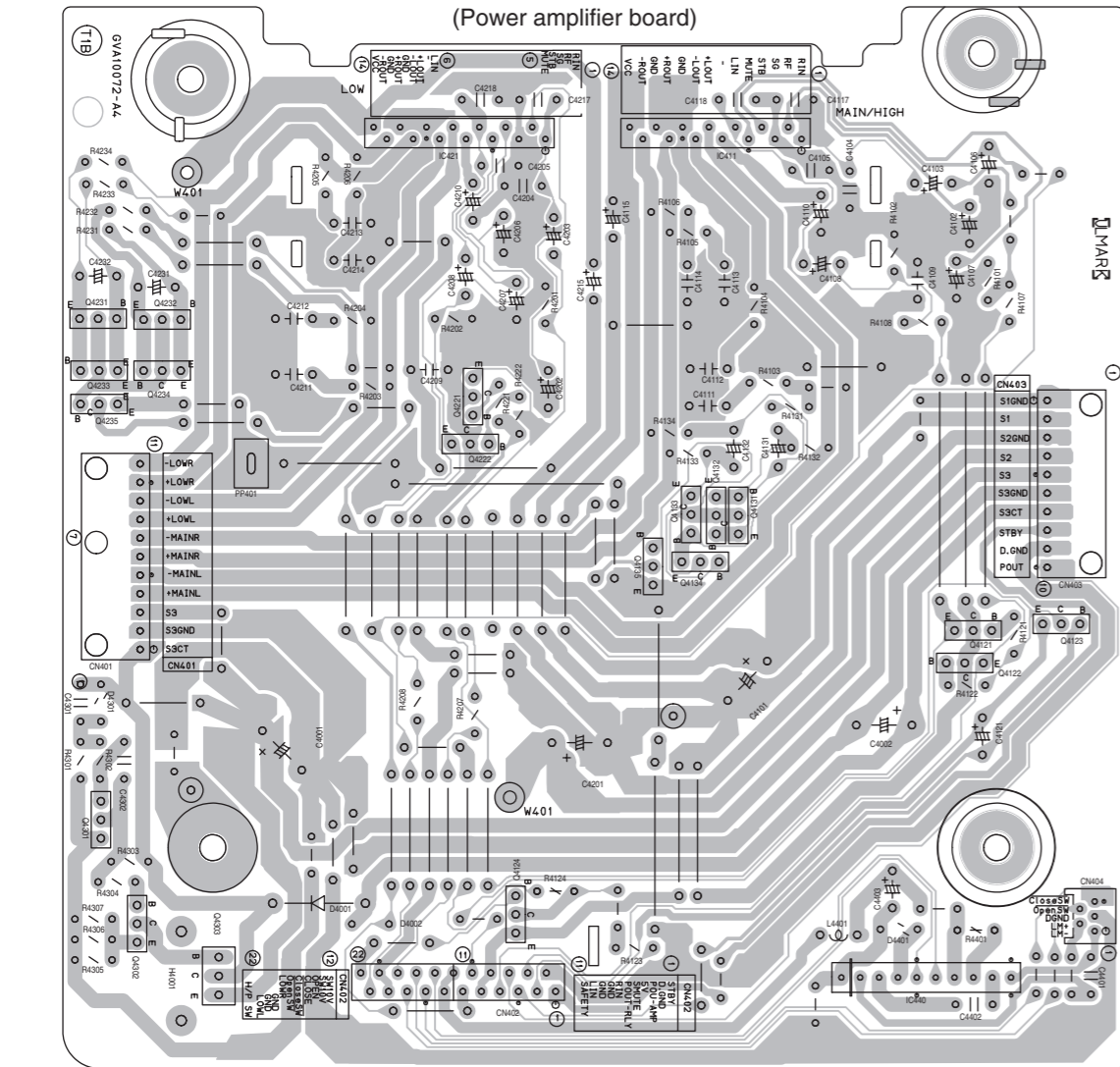
■ Main board



■ Video board

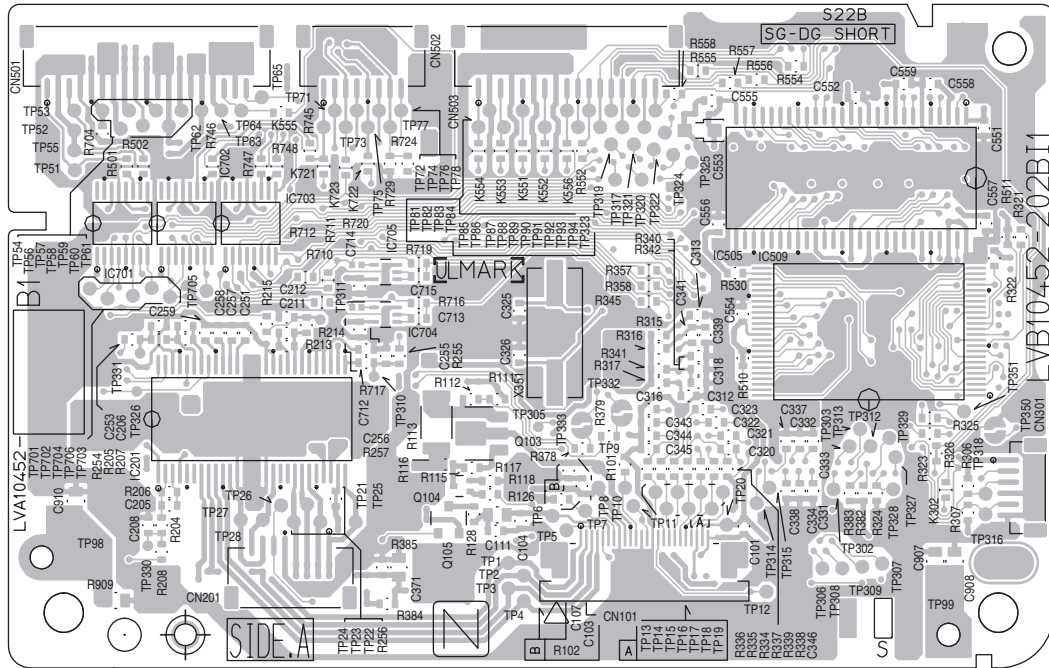


■ Power board

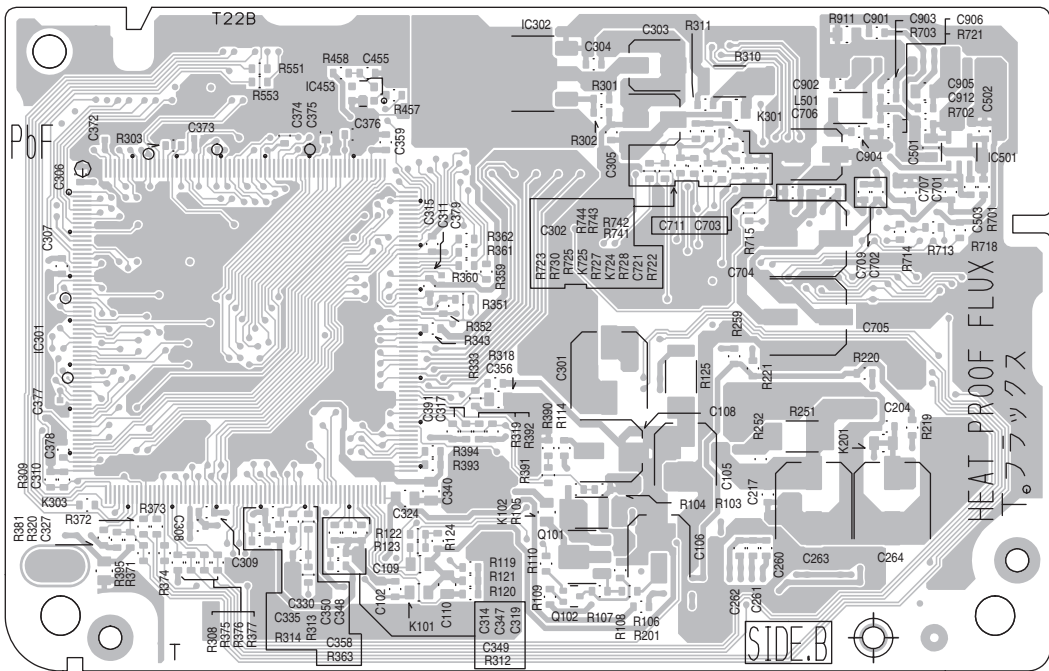


■ DVD servo board

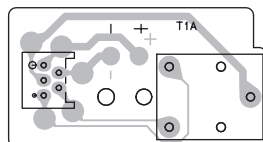
Forward side



Reverse side



■ Switch board



JVC

Victor Company of Japan, Limited

AV & MULTIMEDIA COMPANY AUDIO/VIDEO SYSTEMS CATEGORY 10-1, 1chome, Ohwatari-machi, Maebashi-city, 371-8543, Japan

(No.MB229SCH)



Printed in Japan
WPC

PARTS LIST

[FS-P550]

* All printed circuit boards and its assemblies are not available as service parts.

Area suffix
C ----- Canada

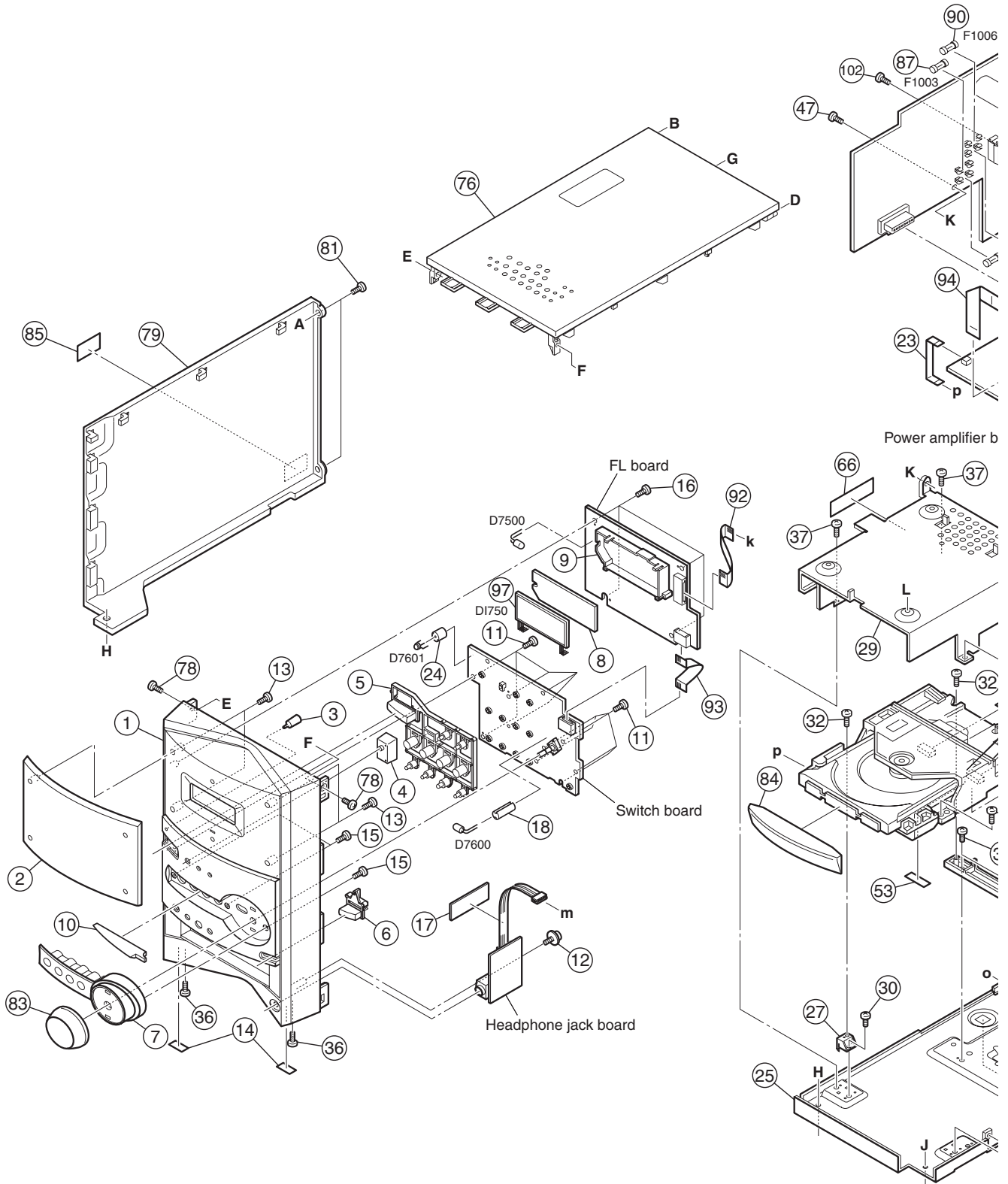
- Contents -

Exploded view of general assembly and parts list (Block No.M1) 3- 2
DVD mechanism assembly and parts list (Block No.MJ) 3- 6
DVD Loading mechanism assembly and parts list (Block No.MN) 3- 8
Electrical parts list (Block No.01~05) 3-10
Packing materials and accessories parts list (Block No.M3)..... 3-18

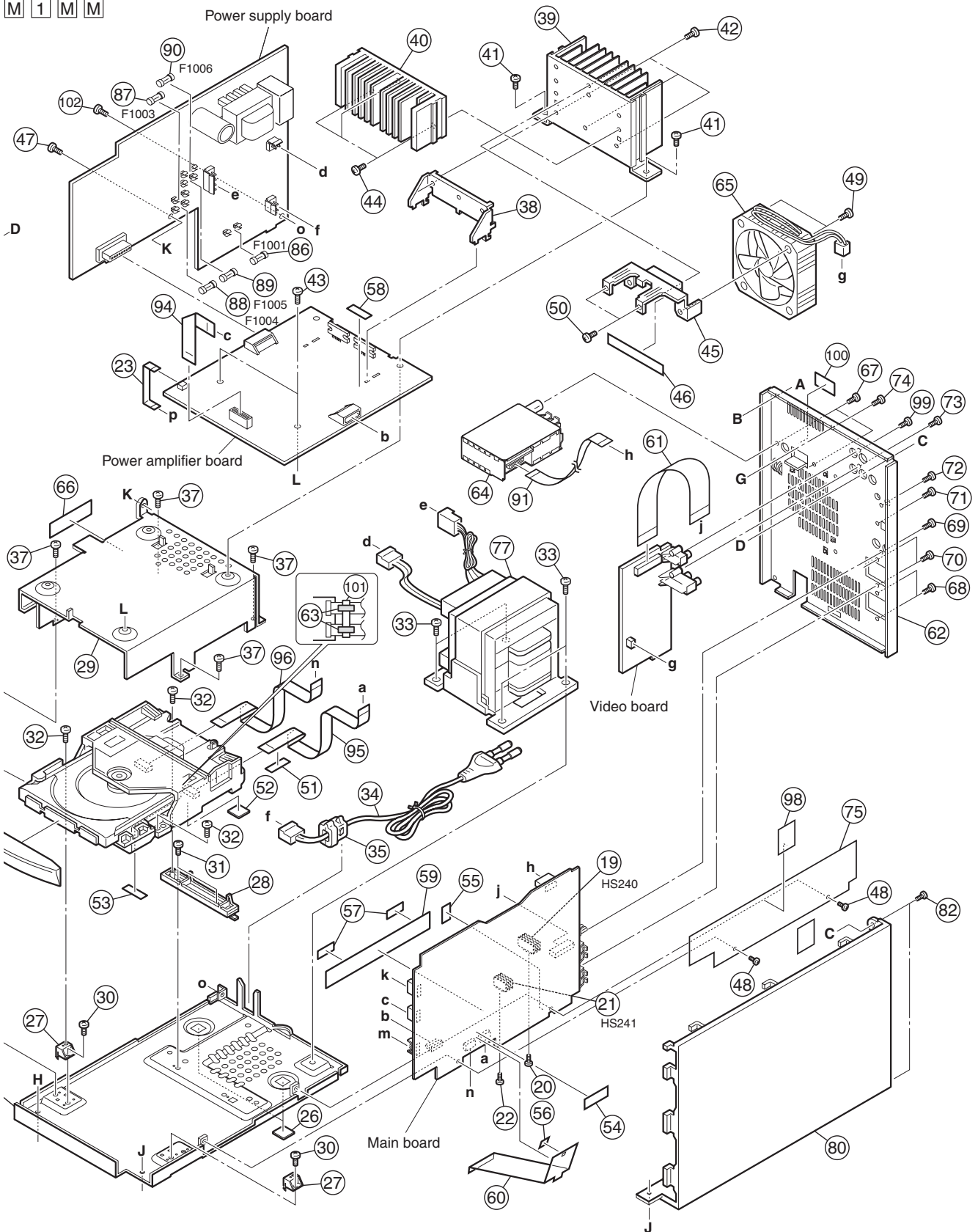
Exploded view of general assembly and parts list

Block No. **M 1 M M**

P



M 1 M M



General Assembly

Block No. [M][1][M][M]

△	Symbol No.	Part No.	Part Name	Description	Local
	1	GV10189-017A	FRONT PANEL		
	2	GV30569-006A	FRONT LENS		
	3	GV40470-001A	STANDBY LENS		
	4	GV40471-001A	REMOTE LENS		
	5	GV20265-008A	MAIN BUTTON		
	6	GV40472-004A	EJECT BUTTON		
	7	GV30555-003A	VOL PLATE		
	8	GV40473-002A	LCD LENS		
	9	GV30557-001A	LCD HOLDER		
	10	GV40478-004A	LED LENS		
	11	QYSBSF2608Z	TAPPING SCREW	2.6mm x 8mm(x10)	
	12	GV40035-001A	SPECIAL SCREW		
	13	QYSDSF2006M	SCREW	2mm x 6mm(x4)	
	14	GV40313-002A	FELT SPACER	(x2)	
	15	QYSBSF2606Z	SCREW	2.6mm x 6mm(x3)	
	16	QYSBSF2608Z	TAPPING SCREW	2.6mm x 8mm(x4)	
	17	GV30349-007A	SPACER		
	18	GV40508-001A	LED HOLDER		
	19	E70945-H40B	HEAT SINK	HS240	
	20	QYSBSG3008Z	TAPPING SCREW	3mm x 8mm	
	21	LV40057-H30B	HEAT SINK	HS241	
	22	QYSBSG3008Z	TAPPING SCREW	3mm x 8mm	
	23	QUQH10-0506BJ	CARD WIRE	FC404	
	24	GV40203-002A	LED HOLDER B		
	25	GV10190-001A	BOTTOM CHASSIS		
	26	GV40313-002A	FELT SPACER	(x2)	
	27	GV40474-001A	MECHA HOLDER F	(x2)	
	28	GV40479-001A	MECHA HOLDER R		
	29	GV20269-002A	SHIELD CASE		
	30	QYSDST3005Z	TAP SCREW	M3 x 5mm(x2)	
	31	QYSDST3005Z	TAP SCREW	M3 x 5mm(x2)	
	32	QYSBSF3008Z	SCREW	3mm x 8mm(x3)	
	33	QYSBST4006Z	SCREW	4mm x 6mm(x4)	
△	34	QMPD380-200-JN	POWER CORD(US/CA)	2m BLACK	
△	35	QZW0033-001	STRAIN RELIEF		
	36	QYSST3008Z	SCREW	3mm x 8mm(x2)	
	37	QYSDST3005Z	TAP SCREW	M3 x 5mm(x4)	
	38	GV40480-002A	IC HOLDER		
	39	GV30559-007A	HEAT SINK		
	40	GV30611-001A	HEAT SINK B		
	41	QYSBSG3008E	TAPPING SCREW	3mm x 8mm(x2)	
	42	QYSBSG3012Z	TAP SCREW	M3 x 12mm(x3)	
	43	QYSBSG3008E	TAPPING SCREW	3mm x 8mm(x2)	
	44	QYSBSG3012Z	TAP SCREW	M3 x 12mm(x3)	
	45	GV30612-002A	FAN BRACKET B		
	46	GV40509-003A	THERMAL SHEET		
	47	QYSBSTG3006Z	TAP SCREW	M3 x 6mm	
	48	QYSBSTG3006Z	TAP SCREW	M3 x 6mm(x2)	
	49	QYSBSG3020Z	TAP SCREW	M3 x 20mm(x2)	
	50	QYSBSG3012Z	TAP SCREW	M3 x 12mm(x2)	
	51	GV40242-004A	COMMON SPACER		
	52	E3400-431	SPECER		
	53	GV30349-027A	SPACER		
	54	GV30349-005A	SPACER		
	55	E3400-431	SPECER		
	56	E3400-431	SPECER		
	57	E3400-431	SPECER	(x2)	
	58	GV30349-007A	SPACER		
	59	GV40527-001A	COPPER SHIELD		
	60	GV40530-001A	WIRE LOCATOR		
	61	QUQH12-2419AJ	CARD WIRE	FC710	
	62	GV20270-038A	REAR PANEL		
	63	GV30349-004A	SPACER	(x2)	
	64	QAU0346-001	TUNER		
	65	QAR0124-003	FAN		
	66	LV41843-002A	LASER CAUTION		
	67	QYSBSGY3008E	SPECIAL SCREW	3mm x 8mm(x2)	
	68	QYSBSGY3008E	SPECIAL SCREW	3mm x 8mm(x2)	
	69	QYSBSGY3008E	SPECIAL SCREW	3mm x 8mm	
	70	QYSBSGY3008E	SPECIAL SCREW	3mm x 8mm(x2)	
	71	QYSBSGY3008E	SPECIAL SCREW	3mm x 8mm	
	72	QYSBSGY3008E	SPECIAL SCREW	3mm x 8mm	
	73	QYSBSGY3008E	SPECIAL SCREW	3mm x 8mm	
	74	QYSBSGY3008E	SPECIAL SCREW	3mm x 8mm	

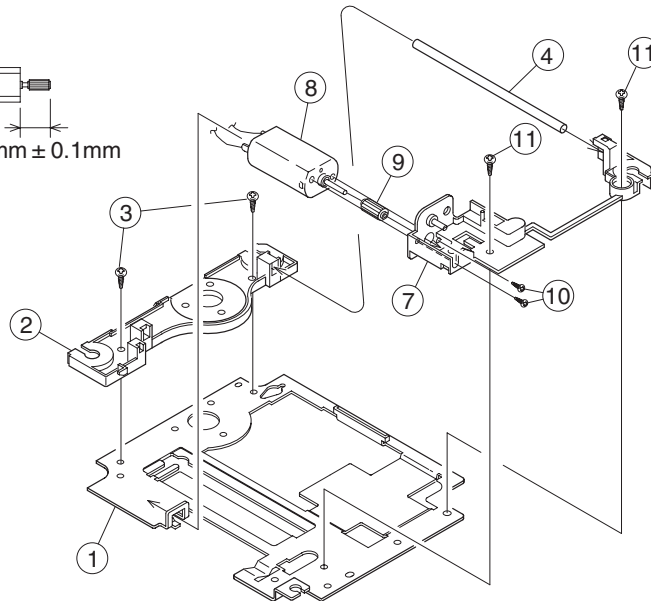
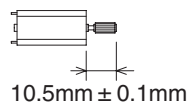
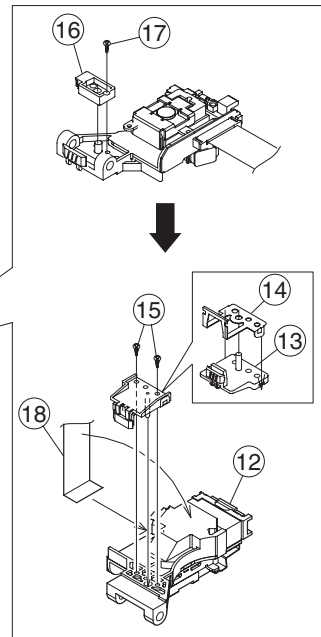
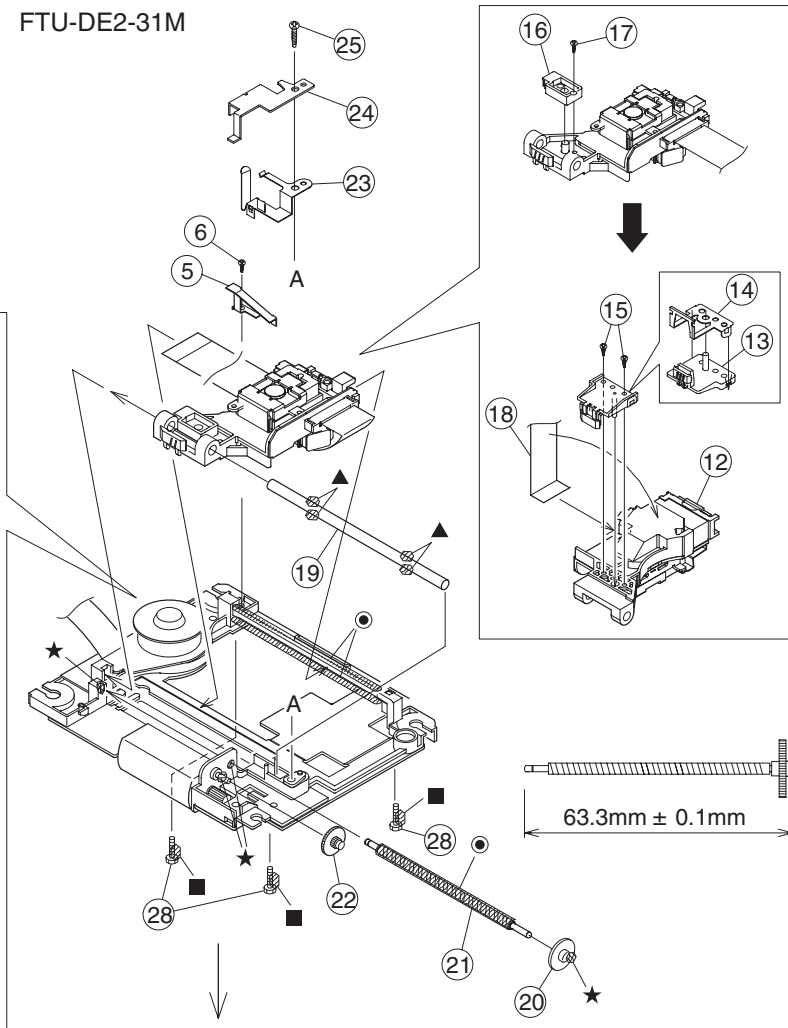
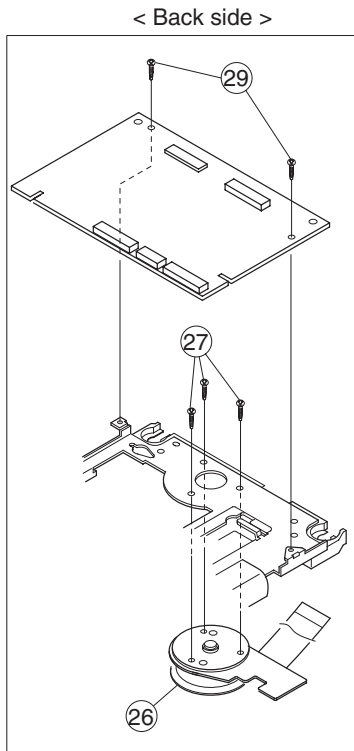
△	Symbol No.	Part No.	Part Name	Description	Local
	75	GV30620-001A	MAIN SHIELD		
	76	GV10192-004A	TOP PANEL B		
△	77	QQT0431-001	POWER TRANSF	T1001	
	78	QYSSSF3008Z	SCREW	3mm x 8mm(x2)	
	79	GV10194-001A	SIDE PANEL L		
	80	GV10195-001A	SIDE PANEL R		
	81	QYSBSGY3010E	SPECIAL SCREW	3mm x 10mm(x2)	
	82	QYSBSGY3010E	SPECIAL SCREW	3mm x 10mm(x2)	
	83	GV30563-001A	MIC VOL KNOB		
	84	GV30564-006A	TRAY FITTING		
	85	GV30562-008A	RATING LABEL		
△	86	QMF51U1-2R5-J8	FUSE	F1001 2.5A AC125V	
△	87	QMF51U1-2R5-J8	FUSE	F1003 2.5A AC125V	
△	88	QMF51U1-1R25-J8	FUSE	F1004 1.25A AC125V	
△	89	QMF51U1-6R3-J8	FUSE	F1005 6.3A AC125V	
△	90	QMF51U1-6R3-J8	FUSE	F1006 6.3A AC125V	
	91	QUQH12-1115AJ	CARD WIRE	FC700	
	92	QUQH12-1508AJ	CARD WIRE	FC750	
	93	QUQH12-1008AJ	CARD WIRE	FC760	
	94	QUQH12-2214AJ	CARD WIRE	FC402	
	95	QUQH10-1912AJ	CARD WIRE	FC220	
	96	QUQH10-1717BJ	CARD WIRE	FC720	
	97	QLD0312-001	LCD MODULE	DI750	
	98	GV30349-007A	SPACER		
	99	QYSBSGY3008E	SPECIAL SCREW	3mm x 8mm	
	100	LV43835-002A	EMC LABEL		
	101	QQR1543-001	FERRITE CORE		
	102	QYSBSTG3006Z	TAP SCREW	M3 x 6mm	

DVD mechanism assembly and parts list

Block No. M J M M

FTU-DE2-31M

- Grease
- ★ =JVG-31N
 - =CFD-4007ZY2
 - ▲ =PG-641
 - =1401C



DVD mechanism

Block No. [M][J][M][M]

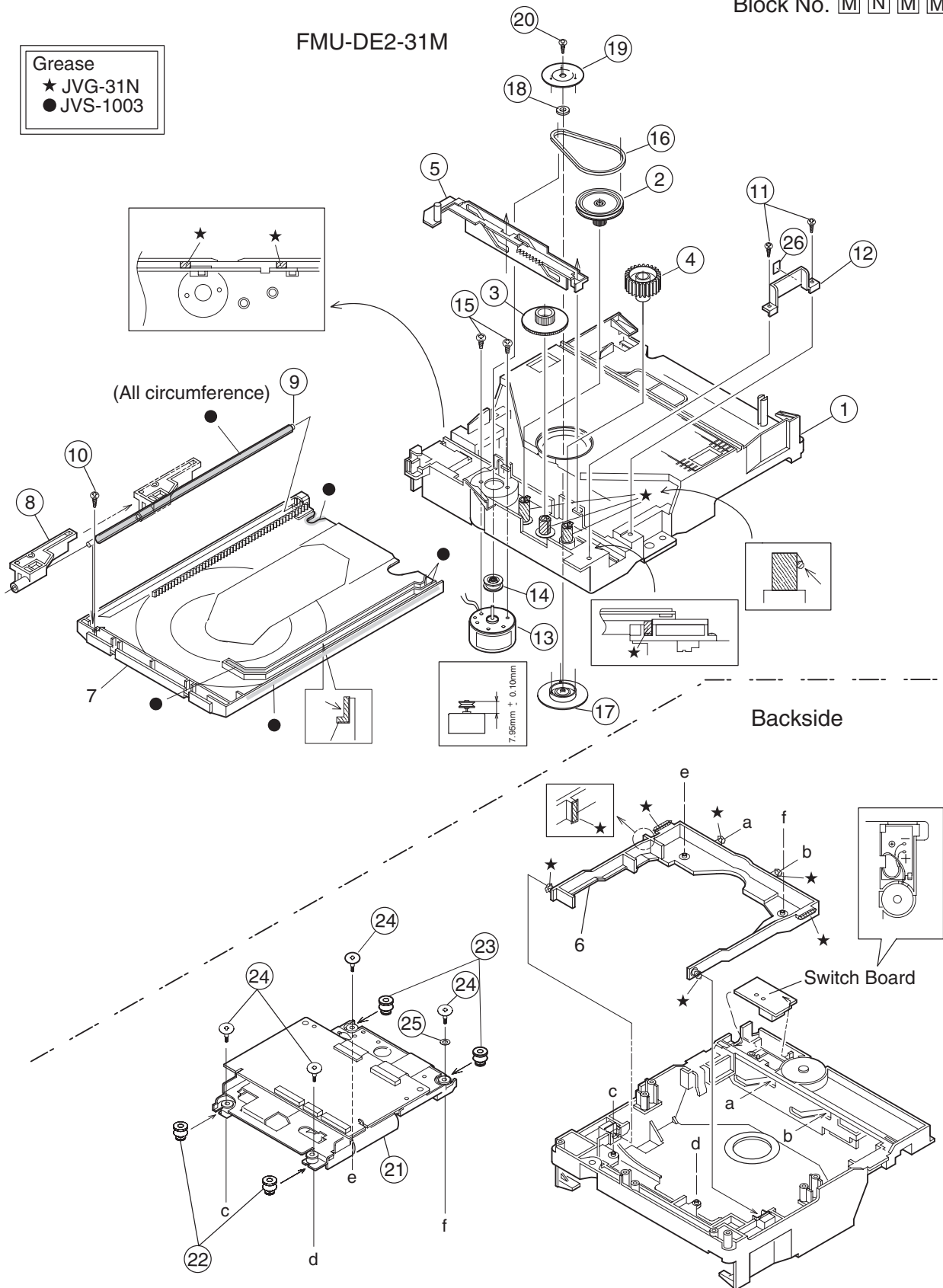
△	Symbol No.	Part No.	Part Name	Description	Local
	1	LE20725-001A	MECHA BASE		
	2	LE20699-002A	SPINDLE BASE		
	3	QYSDST2605M	TAP SCREW	M2.6 x 5mm(x2)	
	4	LE40931-001A	SHAFT		
	5	LV33991-001A	ADJUST SPRING		
	6	QYSPSFU2040M	TAP SCREW	M2 x 4mm	
	7	LE20698-004A	FEED HOLDER		
	8	QAR0215-001	FEED MOTOR		
	9	LV41510-201A	FEED GEAR T		
	10	QYSPSPU2040M	SCREW	M2 x 4mm(x2)	
	11	QYSDST2605M	TAP SCREW	M2.6 x 5mm(x2)	
	12	QAL0507-001	PICK UP		
	13	LE20700-001A	SW ACTUATOR		
	14	LE31067-002A	LEAD SPRING		
	15	QYSPSFU1740Z	TAP SCREW	M1.7 x 4mm(x2)	
	16	LE40929-001A	SW.LEVER		
	17	QYSPSFU1740Z	TAP SCREW	M1.7 x 4mm	
	18	QUQ105-2411AC	FFC		
	19	LE40931-001A	SHAFT		
	20	LE40855-001A	FEED GEAR E		
	21	LV41517-003A	LEAD SCREW		
	22	LE40930-001A	FEED GEAR M		
	23	LE40928-001A	THURUST SPRING		
	24	LE40927-001A	PLATE		
	25	QYSDST2614Z	TAPPING SCREW	M2.6 x 14mm	
	26	QAR0316-001	SPINDLE MOTOR		
	27	QYSPSPU1740Z	SCREW	M1.7 x 4mm(x3)	
	28	LE40858-002A	SPECIAL SCREW	(x3)	
	29	QYSDST2004Z	SCREW	2mm x 4mm(x2)	

DVD loading base assembly and parts list

Block No. M N M M

FMU-DE2-31M

Grease
 ★ JVG-31N
 ● JVS-1003



DVD loading base

Block No. [M][N][M][M]

△ Symbol No.	Part No.	Part Name	Description	Local
1	LE10275-006A	LOADING BASE		
2	LE31043-001A	PULLEY GEAR		
3	LE31042-001A	MIDDLE GEAR		
4	LE31044-001A	IDLE GEAR		
5	LE20665-005A	SLIDE CAM		
6	LE20666-003A	ELEVATOR		
7	LE10276-002A	TRAY		
8	LE31045-001A	BUSHING		
9	LE40898-001A	SHAFT		
10	QYSSSF2008Z	TAP SCREW	M2 x 8mm	
11	QYSDSF2008Z	TAP SCREW	M2 x 8mm(x2)	
12	LE40937-002A	LEAF SPRING		
13	QAR0197-001	MOTOR		
14	LV42087-002A	MOTOR PULLEY		
15	QYSPSPU1730Z	SCREW	M1.7 x 3mm(x2)	
16	LE40897-001A	BELT		
17	LE31046-003A	CLAMPER		
18	LV42930-003A	P.C.MAGNET		
19	LE40899-001A	YOKE		
20	LE40906-001A	SPECIAL SCREW		
21	-----	DVD TRAMECHA		
22	LE40900-003A	INSULATOR	(x2)	
23	LE40900-005A	INSULATOR	(x2)	
24	LE40901-001A	SPECIAL SCREW	(x4)	
25	QYWFM419025	WASHER	9mm/4.1mm x 0.25mm	
26	LV43828-001A	SPACER		

Electrical parts list

Main board

Block No. [0][1][0][0]

△ Symbol No.	Part No.	Part Name	Description	Local
	IC200	LC75342M-X	IC	
	IC202	JCV8011-X	IC	
	IC207	HA17558AF-X	IC	
△	IC240	KIA7810API	IC	
△	IC241	PQ05RD21	IC	
	IC250	GP1FA553TZ	OPT TRANSMITTER	
	IC701	MN101C49GFK1	MASK ROM	
	IC702	BR24L01AF-W-X	IC	
	IC703	BD4740G-W	IC	
	IC705	KIA78S06P-T	IC	
	IC707	74VHCT08ASJ-X	IC	
	Q2070	2SC2412K/R/-X	TRANSISTOR	
	Q2071	2SC2412K/R/-X	TRANSISTOR	
	Q2170	2SC2412K/R/-X	TRANSISTOR	
	Q2171	2SC2412K/R/-X	TRANSISTOR	
△	Q2200	2SC2001/LK/-T	TRANSISTOR	
	Q2220	2SC2412K/R/-X	TRANSISTOR	
	Q2221	KRA102S-X	DIGI TRANSISTOR	
	Q2270	KRA102S-X	DIGI TRANSISTOR	
	Q2271	KRA102S-X	DIGI TRANSISTOR	
△	Q2410	KTA1046/Y/	TRANSISTOR	
	Q2411	KTC3875/YG/-X	SI TRANSISTOR	
△	Q2420	KTC1027/OY/-T	TRANSISTOR	
	Q7001	KRC107S-X	DIGI TRANSISTOR	
	Q7002	KRC111S-X	TRANSISTOR	
	Q7154	2SC2412K/R/-X	TRANSISTOR	
	Q7158	2SC2412K/R/-X	TRANSISTOR	
	Q7161	KRC102S-X	DIGI TRANSISTOR	
	Q7162	KRC102S-X	DIGI TRANSISTOR	
	Q7300	2SA1037AK/RS/-X	TRANSISTOR	
	Q7301	KRC111S-X	TRANSISTOR	
	Q7302	KRC110M-T	TRANSISTOR	
	Q7320	2SA1037AK/RS/-X	TRANSISTOR	
	Q7321	KRC111S-X	TRANSISTOR	
	Q7330	KRC102S-X	DIGI TRANSISTOR	
	Q7360	2SA1037AK/RS/-X	TRANSISTOR	
	Q7361	KRC111S-X	TRANSISTOR	
	D2400	MTZJ11C-T2	Z DIODE	
	D2404	1N4003S-T5	SI DIODE	
	D2410	MTZJ5.6C-T2	Z DIODE	
	D2412	1SS119-041-T2	DIODE	
	D2413	MTZJ3.9B-T2	Z DIODE	
	D2420	MTZJ5.6A-T2	Z DIODE	
	D2421	MTZJ5.6C-T2	Z DIODE	
	D2422	1SS119-041-T2	DIODE	
	D7001	1SS119-041-T2	DIODE	
	D7002	1SS119-041-T2	DIODE	
	D7003	MTZJ4.7B-T2	Z DIODE	
	D7061	1SS119-041-T2	DIODE	
	D7062	1SS119-041-T2	DIODE	
	D7161	1SS119-041-T2	DIODE	
	D7300	1SS119-041-T2	DIODE	
	D7320	1SS119-041-T2	DIODE	
	D7330	MTZJ6.2C-T2	Z DIODE	
	D7331	1SS119-041-T2	DIODE	
	D7350	MTZJ6.2C-T2	Z DIODE	
	D7351	1SS119-041-T2	DIODE	
	D7352	1SS119-041-T2	DIODE	
	D7353	1SS119-041-T2	DIODE	
	D7354	1SS119-041-T2	DIODE	
	D7370	MTZJ5.6C-T2	Z DIODE	
	D7371	1SS119-041-T2	DIODE	
	C2000	QCBB1HK-221Y	C CAPACITOR	220pF 50V K
	C2001	QETN1HM-475Z	E CAPACITOR	4.7uF 50V M
	C2003	QTE1H28-106Z	E CAPACITOR	10uF 50V
	C2004	QETN1HM-475Z	E CAPACITOR	4.7uF 50V M
	C2006	QTE1V06-106Z	E CAPACITOR	10uF 35V
	C2007	QTE1V06-106Z	E CAPACITOR	10uF 35V
	C2008	QFLC1HJ-272Z	M CAPACITOR	2700pF 50V J

△ Symbol No.	Part No.	Part Name	Description	Local
	C2009	QFLC1HJ-104Z	M CAPACITOR	0.1uF 50V J
	C2010	QFLC1HJ-104Z	M CAPACITOR	0.1uF 50V J
	C2011	QFLC1HJ-153Z	M CAPACITOR	0.015uF 50V J
	C2012	QFLC1HJ-153Z	M CAPACITOR	0.015uF 50V J
	C2013	NCB31HK-561X	C CAPACITOR	560pF 50V K
	C2016	QTE1H28-105Z	E CAPACITOR	1uF 50V
	C2021	QETN1HM-106Z	E CAPACITOR	10uF 50V M
	C2023	QETN1HM-106Z	E CAPACITOR	10uF 50V M
	C2061	QFLC1HJ-103Z	M CAPACITOR	0.01uF 50V J
	C2062	QFLC1HJ-103Z	M CAPACITOR	0.01uF 50V J
	C2070	QETN1CM-226Z	E CAPACITOR	22uF 16V M
	C2071	QETN1HM-225Z	E CAPACITOR	2.2uF 50V M
	C2072	NCS31HJ-151X	C CAPACITOR	150pF 50V J
	C2073	NCS31HJ-330X	C CAPACITOR	33pF 50V J
	C2074	NCB31HK-331X	C CAPACITOR	330pF 50V K
	C2075	QETN1CM-107Z	E CAPACITOR	100uF 16V M
	C2080	QCFB1HZ-104Y	C CAPACITOR	0.1uF 50V Z
	C2081	QDXB1CM-332Y	C CAPACITOR	3300pF 16V M
	C2090	QCFB1HZ-104Y	C CAPACITOR	0.1uF 50V Z
	C2091	QDXB1CM-332Y	C CAPACITOR	3300pF 16V M
	C2100	QCBB1HK-221Y	C CAPACITOR	220pF 50V K
	C2101	QETN1HM-475Z	E CAPACITOR	4.7uF 50V M
	C2103	QTE1H28-106Z	E CAPACITOR	10uF 50V
	C2104	QETN1HM-475Z	E CAPACITOR	4.7uF 50V M
	C2106	QTE1V06-106Z	E CAPACITOR	10uF 35V
	C2107	QTE1V06-106Z	E CAPACITOR	10uF 35V
	C2108	QFLC1HJ-272Z	M CAPACITOR	2700pF 50V J
	C2109	QFLC1HJ-104Z	M CAPACITOR	0.1uF 50V J
	C2110	QFLC1HJ-104Z	M CAPACITOR	0.1uF 50V J
	C2111	QFLC1HJ-153Z	M CAPACITOR	0.015uF 50V J
	C2112	QFLC1HJ-153Z	M CAPACITOR	0.015uF 50V J
	C2113	NCB31HK-561X	C CAPACITOR	560pF 50V K
	C2116	QTE1H28-105Z	E CAPACITOR	1uF 50V
	C2121	QETN1HM-106Z	E CAPACITOR	10uF 50V M
	C2123	QETN1HM-106Z	E CAPACITOR	10uF 50V M
	C2161	QFLC1HJ-103Z	M CAPACITOR	0.01uF 50V J
	C2162	QFLC1HJ-103Z	M CAPACITOR	0.01uF 50V J
	C2170	QETN1CM-226Z	E CAPACITOR	22uF 16V M
	C2171	QETN1HM-225Z	E CAPACITOR	2.2uF 50V M
	C2172	NCS31HJ-151X	C CAPACITOR	150pF 50V J
	C2173	NCS31HJ-330X	C CAPACITOR	33pF 50V J
	C2174	NCB31HK-331X	C CAPACITOR	330pF 50V K
	C2175	QETN1CM-107Z	E CAPACITOR	100uF 16V M
	C2180	QCFB1HZ-104Y	C CAPACITOR	0.1uF 50V Z
	C2181	QDXB1CM-332Y	C CAPACITOR	3300pF 16V M
	C2190	QCFB1HZ-104Y	C CAPACITOR	0.1uF 50V Z
	C2191	QDXB1CM-332Y	C CAPACITOR	3300pF 16V M
	C2200	QTE1C06-107Z	E CAPACITOR	100uF 16V
	C2201	QFLC1HJ-104Z	M CAPACITOR	0.1uF 50V J
	C2202	QETN1CM-107Z	E CAPACITOR	100uF 16V M
	C2203	QCBB1HK-103Y	C CAPACITOR	0.01uF 50V K
	C2204	QETN1CM-226Z	E CAPACITOR	22uF 16V M
	C2220	QETN1CM-476Z	E CAPACITOR	47uF 16V M
	C2221	QETN1CM-476Z	E CAPACITOR	47uF 16V M
	C2222	QFLC1HJ-273Z	M CAPACITOR	0.027uF 50V J
	C2223	QETN1HM-225Z	E CAPACITOR	2.2uF 50V M
	C2224	QETN1CM-106Z	E CAPACITOR	10uF 16V M
	C2225	QETN1CM-106Z	E CAPACITOR	10uF 16V M
	C2226	QETN1HM-475Z	E CAPACITOR	4.7uF 50V M
	C2227	QETN1CM-106Z	E CAPACITOR	10uF 16V M
	C2228	QETN1CM-106Z	E CAPACITOR	10uF 16V M
	C2229	QETN1HM-224Z	E CAPACITOR	0.22uF 50V M
	C2230	QETN1HM-475Z	E CAPACITOR	4.7uF 50V M
	C2231	QETN1HM-474Z	E CAPACITOR	0.47uF 50V M
	C2232	QETN1HM-475Z	E CAPACITOR	4.7uF 50V M
	C2233	QETN1CM-476Z	E CAPACITOR	47uF 16V M
	C2270	QETN1CM-476Z	E CAPACITOR	47uF 16V M
	C2271	QETN1CM-226Z	E CAPACITOR	22uF 16V M
	C2272	QETN1HM-225Z	E CAPACITOR	2.2uF 50V M
	C2273	QETN1HM-225Z	E CAPACITOR	2.2uF 50V M
	C2400	QETN1EM-477Z	E CAPACITOR	470uF 25V M
	C2401	QETN1CM-227Z	E CAPACITOR	220uF 16V M
	C2410	QETN1CM-477Z	E CAPACITOR	470uF 16V M
	C2411	QETN1AM-227Z	E CAPACITOR	220uF 10V M
	C2412	QETN1CM-107Z	E CAPACITOR	100uF 16V M
	C2413	QFLC1HJ-104Z	M CAPACITOR	0.1uF 50V J

△ Symbol No.	Part No.	Part Name	Description	Local	△ Symbol No.	Part No.	Part Name	Description	Local
C2420	QFLC1HJ-472Z	M CAPACITOR	4700pF 50V J		R2175	NRSA63J-332X	MG RESISTOR	3.3kΩ 1/16W J	
C2421	QETN1CM-227Z	E CAPACITOR	220uF 16V M		R2176	NRSA63J-222X	MG RESISTOR	2.2kΩ 1/16W J	
C2500	QETN1CM-476Z	E CAPACITOR	47uF 16V M		R2177	NRSA63J-222X	MG RESISTOR	2.2kΩ 1/16W J	
C2700	QCBB1HK-103Y	C CAPACITOR	0.01uF 50V K		R2178	NRSA63J-222X	MG RESISTOR	2.2kΩ 1/16W J	
C2701	QCBB1HK-103Y	C CAPACITOR	0.01uF 50V K		R2200	QRE141J-471Y	C RESISTOR	470Ω 1/4W J	
C2702	QCBB1HK-103Y	C CAPACITOR	0.01uF 50V K		R2201	QRE141J-101Y	C RESISTOR	100Ω 1/4W J	
C7001	QETN1CM-107Z	E CAPACITOR	100uF 16V M		R2202	NRSA63J-101X	MG RESISTOR	100Ω 1/16W J	
C7002	QDYB1CM-103Y	C CAPACITOR	0.01uF 16V M		R2203	NRSA63J-101X	MG RESISTOR	100Ω 1/16W J	
C7004	QETN1HM-225Z	E CAPACITOR	2.2uF 50V M		R2220	NRSA63J-474X	MG RESISTOR	470kΩ 1/16W J	
C7005	NCB31HK-223X	C CAPACITOR	0.022uF 50V K		R2221	NRSA63J-474X	MG RESISTOR	470kΩ 1/16W J	
C7006	NCB31HK-102X	C CAPACITOR	1000pF 50V K		R2222	NRSA63J-101X	MG RESISTOR	100Ω 1/16W J	
C7007	NCB31HK-103X	C CAPACITOR	0.01uF 50V K		R2223	NRSA63J-225X	MG RESISTOR	2.2MΩ 1/16W J	
C7008	QETN0JM-227Z	E CAPACITOR	220uF 6.3V M		R2224	NRSA63J-153X	MG RESISTOR	15kΩ 1/16W J	
C7009	QETN0JM-228Z	E CAPACITOR	2200uF 6.3V M		R2225	NRSA63J-104X	MG RESISTOR	100kΩ 1/16W J	
C7031	NCS31HJ-220X	C CAPACITOR	22pF 50V J		R2226	NRSA63J-562X	MG RESISTOR	5.6kΩ 1/16W J	
C7046	QCSB1HJ-220Y	C CAPACITOR	22pF 50V J		R2227	NRSA63J-472X	MG RESISTOR	4.7kΩ 1/16W J	
C7048	NCB31HK-102X	C CAPACITOR	1000pF 50V K		R2228	NRSA63J-562X	MG RESISTOR	5.6kΩ 1/16W J	
C7103	NCB31HK-102X	C CAPACITOR	1000pF 50V K		R2229	QRE141J-101Y	C RESISTOR	100Ω 1/4W J	
C7112	NCS31HJ-330X	C CAPACITOR	33pF 50V J		R2270	QRE141J-181Y	C RESISTOR	180Ω 1/4W J	
C7113	NCS31HJ-330X	C CAPACITOR	33pF 50V J		R2271	NRSA63J-473X	MG RESISTOR	47kΩ 1/16W J	
C7320	QETN1HM-106Z	E CAPACITOR	10uF 50V M		R2272	NRSA63J-473X	MG RESISTOR	47kΩ 1/16W J	
C7330	NCB31HK-221X	C CAPACITOR	220pF 50V K		R2273	NRSA63J-0R0X	MG RESISTOR	0Ω 1/16W J	
C7331	NCB31HK-221X	C CAPACITOR	220pF 50V K		R2274	NRSA63J-0R0X	MG RESISTOR	0Ω 1/16W J	
C7350	QFLC1HJ-104Z	M CAPACITOR	0.1uF 50V J		R2275	QRE141J-103Y	C RESISTOR	10kΩ 1/4W J	
C7351	QETN1CM-476Z	E CAPACITOR	47uF 16V M		R2410	QRE141J-122Y	C RESISTOR	1.2kΩ 1/4W J	
C7352	QETN1AM-107Z	E CAPACITOR	100uF 10V M		R2411	QRE141J-472Y	C RESISTOR	4.7kΩ 1/4W J	
C7367	QETN1CM-476Z	E CAPACITOR	47uF 16V M		R2412	QRE141J-103Y	C RESISTOR	10kΩ 1/4W J	
C7370	NCS31HJ-100X	C CAPACITOR	10pF 50V J		R2420	QRE141J-102Y	C RESISTOR	1kΩ 1/4W J	
C7371	NCS31HJ-100X	C CAPACITOR	10pF 50V J		R2500	NRSA63J-470X	MG RESISTOR	47Ω 1/16W J	
C7372	NCS31HJ-100X	C CAPACITOR	10pF 50V J		R7001	NRSA63J-223X	MG RESISTOR	22kΩ 1/16W J	
C7373	NCS31HJ-100X	C CAPACITOR	10pF 50V J		R7002	NRSA63J-472X	MG RESISTOR	4.7kΩ 1/16W J	
C7374	NCS31HJ-100X	C CAPACITOR	10pF 50V J		R7003	NRSA63J-102X	MG RESISTOR	1kΩ 1/16W J	
C7375	QETN1CM-476Z	E CAPACITOR	47uF 16V M		R7004	NRSA63J-103X	MG RESISTOR	10kΩ 1/16W J	
R2000	QRE141J-303Y	C RESISTOR	30kΩ 1/4W J		R7005	NRSA63J-681X	MG RESISTOR	680Ω 1/16W J	
R2001	QRE141J-303Y	C RESISTOR	30kΩ 1/4W J		R7006	NRSA63J-681X	MG RESISTOR	680Ω 1/16W J	
R2006	NRSA63J-473X	MG RESISTOR	47kΩ 1/16W J		R7021	NRSA63J-103X	MG RESISTOR	10kΩ 1/16W J	
R2007	NRSA63J-392X	MG RESISTOR	3.9kΩ 1/16W J		R7030	NRSA63J-103X	MG RESISTOR	10kΩ 1/16W J	
R2008	QRE141J-682Y	C RESISTOR	6.8kΩ 1/4W J		R7045	NRSA63J-222X	MG RESISTOR	2.2kΩ 1/16W J	
R2009	QRE141J-682Y	C RESISTOR	6.8kΩ 1/4W J		R7048	NRSA63J-222X	MG RESISTOR	2.2kΩ 1/16W J	
R2010	QRE141J-472Y	C RESISTOR	4.7kΩ 1/4W J		R7049	NRSA63J-222X	MG RESISTOR	2.2kΩ 1/16W J	
R2011	NRSA63J-473X	MG RESISTOR	47kΩ 1/16W J		R7060	NRSA63J-393X	MG RESISTOR	39kΩ 1/16W J	
R2012	NRSA63J-203X	MG RESISTOR	20kΩ 1/16W J		R7061	NRSA63J-472X	MG RESISTOR	4.7kΩ 1/16W J	
R2020	NRSA63J-472X	MG RESISTOR	4.7kΩ 1/16W J		R7062	NRSA63J-472X	MG RESISTOR	4.7kΩ 1/16W J	
R2021	NRSA63J-103X	MG RESISTOR	10kΩ 1/16W J		R7102	NRSA63J-222X	MG RESISTOR	2.2kΩ 1/16W J	
R2022	NRSA63J-222X	MG RESISTOR	2.2kΩ 1/16W J		R7103	NRSA63J-222X	MG RESISTOR	2.2kΩ 1/16W J	
R2030	QRE141J-273Y	C RESISTOR	27kΩ 1/4W J		R7104	NRSA63J-222X	MG RESISTOR	2.2kΩ 1/16W J	
R2061	QRE141J-681Y	C RESISTOR	680Ω 1/4W J		R7107	NRSA63J-222X	MG RESISTOR	2.2kΩ 1/16W J	
R2062	QRE141J-681Y	C RESISTOR	680Ω 1/4W J		R7108	NRSA63J-222X	MG RESISTOR	2.2kΩ 1/16W J	
R2070	NRSA63J-332X	MG RESISTOR	3.3kΩ 1/16W J		R7109	NRSA63J-103X	MG RESISTOR	10kΩ 1/16W J	
R2071	NRSA63J-103X	MG RESISTOR	10kΩ 1/16W J		R7118	NRSA63J-102X	MG RESISTOR	1kΩ 1/16W J	
R2072	NRSA63J-220X	MG RESISTOR	22Ω 1/16W J		R7119	NRSA63J-222X	MG RESISTOR	2.2kΩ 1/16W J	
R2073	NRSA63J-433X	MG RESISTOR	43kΩ 1/16W J		R7120	NRSA63J-102X	MG RESISTOR	1kΩ 1/16W J	
R2074	NRSA63J-563X	MG RESISTOR	56kΩ 1/16W J		R7121	NRSA63J-101X	MG RESISTOR	100Ω 1/16W J	
R2075	NRSA63J-332X	MG RESISTOR	3.3kΩ 1/16W J		R7122	NRSA63J-222X	MG RESISTOR	2.2kΩ 1/16W J	
R2076	NRSA63J-222X	MG RESISTOR	2.2kΩ 1/16W J		R7123	NRSA63J-101X	MG RESISTOR	100Ω 1/16W J	
R2077	NRSA63J-222X	MG RESISTOR	2.2kΩ 1/16W J		R7124	NRSA63J-222X	MG RESISTOR	2.2kΩ 1/16W J	
R2078	NRSA63J-222X	MG RESISTOR	2.2kΩ 1/16W J		R7125	NRSA63J-222X	MG RESISTOR	2.2kΩ 1/16W J	
R2100	QRE141J-303Y	C RESISTOR	30kΩ 1/4W J		R7126	QRE141J-103Y	C RESISTOR	10kΩ 1/4W J	
R2101	QRE141J-303Y	C RESISTOR	30kΩ 1/4W J		R7127	NRSA63J-222X	MG RESISTOR	2.2kΩ 1/16W J	
R2106	NRSA63J-473X	MG RESISTOR	47kΩ 1/16W J		R7128	NRSA63J-222X	MG RESISTOR	2.2kΩ 1/16W J	
R2107	NRSA63J-392X	MG RESISTOR	3.9kΩ 1/16W J		R7129	NRSA63J-222X	MG RESISTOR	2.2kΩ 1/16W J	
R2108	QRE141J-682Y	C RESISTOR	6.8kΩ 1/4W J		R7131	QRE141J-101Y	C RESISTOR	100Ω 1/4W J	
R2109	QRE141J-682Y	C RESISTOR	6.8kΩ 1/4W J		R7132	NRSA63J-103X	MG RESISTOR	10kΩ 1/16W J	
R2110	NRSA63J-472X	MG RESISTOR	4.7kΩ 1/16W J		R7135	NRSA63J-222X	MG RESISTOR	2.2kΩ 1/16W J	
R2111	NRSA63J-473X	MG RESISTOR	47kΩ 1/16W J		R7136	NRSA63J-222X	MG RESISTOR	2.2kΩ 1/16W J	
R2112	NRSA63J-203X	MG RESISTOR	20kΩ 1/16W J		R7137	NRSA63J-102X	MG RESISTOR	1kΩ 1/16W J	
R2120	NRSA63J-472X	MG RESISTOR	4.7kΩ 1/16W J		R7138	NRSA63J-102X	MG RESISTOR	1kΩ 1/16W J	
R2121	NRSA63J-103X	MG RESISTOR	10kΩ 1/16W J		R7139	NRSA63J-102X	MG RESISTOR	1kΩ 1/16W J	
R2122	NRSA63J-222X	MG RESISTOR	2.2kΩ 1/16W J		R7140	NRSA63J-102X	MG RESISTOR	1kΩ 1/16W J	
R2130	QRE141J-273Y	C RESISTOR	27kΩ 1/4W J		R7143	NRSA63J-103X	MG RESISTOR	10kΩ 1/16W J	
R2161	QRE141J-681Y	C RESISTOR	680Ω 1/4W J		R7145	NRSA63J-122X	MG RESISTOR	1.2kΩ 1/16W J	
R2162	QRE141J-681Y	C RESISTOR	680Ω 1/4W J		R7146	NRSA63J-101X	MG RESISTOR	100Ω 1/16W J	
R2170	QRE141J-332Y	C RESISTOR	3.3kΩ 1/4W J		R7147	NRSA63J-101X	MG RESISTOR	100Ω 1/16W J	
R2171	NRSA63J-103X	MG RESISTOR	10kΩ 1/16W J		R7148	NRSA63J-122X	MG RESISTOR	1.2kΩ 1/16W J	
R2172	NRSA63J-220X	MG RESISTOR	22Ω 1/16W J		R7149	NRSA63J-122X	MG RESISTOR	1.2kΩ 1/16W J	
R2173	NRSA63J-433X	MG RESISTOR	43kΩ 1/16W J		R7151	NRSA63J-102X	MG RESISTOR	1kΩ 1/16W J	
R2174	NRSA63J-563X	MG RESISTOR	56kΩ 1/16W J		R7152	NRSA63J-102X	MG RESISTOR	1kΩ 1/16W J	
					R7153	NRSA63J-101X	MG RESISTOR	100Ω 1/16W J	

△ Symbol No.	Part No.	Part Name	Description	Local
R7154	NRSA63J-102X	MG RESISTOR	1kΩ 1/16W J	
R7155	NRSA63J-102X	MG RESISTOR	1kΩ 1/16W J	
R7156	NRSA63J-102X	MG RESISTOR	1kΩ 1/16W J	
R7160	NRSA63J-102X	MG RESISTOR	1kΩ 1/16W J	
R7161	NRSA63J-102X	MG RESISTOR	1kΩ 1/16W J	
R7162	NRSA63J-102X	MG RESISTOR	1kΩ 1/16W J	
R7163	NRSA63J-0R0X	MG RESISTOR	0Ω 1/16W J	
R7164	NRSA63J-0R0X	MG RESISTOR	0Ω 1/16W J	
R7165	NRSA63J-0R0X	MG RESISTOR	0Ω 1/16W J	
R7166	NRSA63J-0R0X	MG RESISTOR	0Ω 1/16W J	
R7167	NRSA63J-0R0X	MG RESISTOR	0Ω 1/16W J	
R7173	NRSA63J-102X	MG RESISTOR	1kΩ 1/16W J	
R7177	NRSA63J-222X	MG RESISTOR	2.2kΩ 1/16W J	
R7184	NRSA63J-222X	MG RESISTOR	2.2kΩ 1/16W J	
R7185	NRSA63J-222X	MG RESISTOR	2.2kΩ 1/16W J	
R7186	NRSA63J-222X	MG RESISTOR	2.2kΩ 1/16W J	
R7187	NRSA63J-222X	MG RESISTOR	2.2kΩ 1/16W J	
R7188	NRSA63J-0R0X	MG RESISTOR	0Ω 1/16W J	
R7189	NRSA63J-0R0X	MG RESISTOR	0Ω 1/16W J	
R7199	NRSA63J-103X	MG RESISTOR	10kΩ 1/16W J	
R7202	NRSA63J-563X	MG RESISTOR	56kΩ 1/16W J	
R7203	NRSA63J-103X	MG RESISTOR	10kΩ 1/16W J	
R7204	NRSA63J-104X	MG RESISTOR	100kΩ 1/16W J	
R7205	NRSA63J-273X	MG RESISTOR	27kΩ 1/16W J	
R7206	NRSA63J-103X	MG RESISTOR	10kΩ 1/16W J	
R7207	NRSA63J-103X	MG RESISTOR	10kΩ 1/16W J	
R7208	NRSA63J-103X	MG RESISTOR	10kΩ 1/16W J	
R7228	NRSA63J-103X	MG RESISTOR	10kΩ 1/16W J	
R7229	NRSA63J-103X	MG RESISTOR	10kΩ 1/16W J	
R7239	QRE141J-103Y	C RESISTOR	10kΩ 1/4W J	
R7240	QRE141J-103Y	C RESISTOR	10kΩ 1/4W J	
R7252	NRSA63J-104X	MG RESISTOR	100kΩ 1/16W J	
R7260	NRSA63J-393X	MG RESISTOR	39kΩ 1/16W J	
R7261	NRSA63J-123X	MG RESISTOR	12kΩ 1/16W J	
R7262	NRSA63J-123X	MG RESISTOR	12kΩ 1/16W J	
R7289	NRSA63J-103X	MG RESISTOR	10kΩ 1/16W J	
R7300	NRSA63J-102X	MG RESISTOR	1kΩ 1/16W J	
R7301	NRSA63J-473X	MG RESISTOR	47kΩ 1/16W J	
R7302	NRSA63J-103X	MG RESISTOR	10kΩ 1/16W J	
R7320	NRSA63J-473X	MG RESISTOR	47kΩ 1/16W J	
R7321	NRSA63J-103X	MG RESISTOR	10kΩ 1/16W J	
R7330	NRSA63J-103X	MG RESISTOR	10kΩ 1/16W J	
R7331	NRSA63J-221X	MG RESISTOR	220Ω 1/16W J	
R7332	NRSA63J-221X	MG RESISTOR	220Ω 1/16W J	
R7333	NRSA63J-221X	MG RESISTOR	220Ω 1/16W J	
R7360	NRSA63J-473X	MG RESISTOR	47kΩ 1/16W J	
R7361	NRSA63J-102X	MG RESISTOR	1kΩ 1/16W J	
R7375	QRE141J-101Y	C RESISTOR	100Ω 1/4W J	
R7376	QRE141J-471Y	C RESISTOR	470Ω 1/4W J	
L2080	QQR0797-002	COIL		
L2090	QQR0797-002	COIL		
L2180	QQR0797-002	COIL		
L2190	QQR0797-002	COIL		
L2500	QLL231K-4R7Y	COIL	4.7uH K	
L2700	QLL231K-470Y	COIL	47uH K	
L2701	QLL231K-470Y	COIL	47uH K	
L7001	QLL231K-100Y	COIL	10uH K	
CN200	QGB2510J1-11	CONNECTOR	B-B (1-11)	
CN210	QGF1205C1-22	CONNECTOR	FFC/FPC (1-22)	
CN220	QGF1016F3-19	CONNECTOR	FFC/FPC (1-19)	
CN270	QGA2501C1-04	CONNECTOR	W-B (1-4)	
CN700	QGF1205C1-11	CONNECTOR	FFC/FPC (1-11)	
CN710	QGF1205C1-24	CONNECTOR	FFC/FPC (1-24)	
CN720	QGF1016F3-17	CONNECTOR	FFC/FPC (1-17)	
CN730	QGF1205C1-15	CONNECTOR	FFC/FPC (1-15)	
J200	QNN0420-001	SURROUND JACK		
J270	QNS0170-001	HEADPHONE JACK		
J280	QNB0172-002	SPK TERMINAL		
J290	QNB0194-001	SPK TERMINAL		
J700	QNS0089-001	3.5 JACK		
K2070	QQR0779-001Z	COIL		
K2170	QQR0779-001Z	COIL		
K2201	NRSA02J-0R0X	MG RESISTOR	0Ω 1/10W J	
K2202	NRSA02J-0R0X	MG RESISTOR	0Ω 1/10W J	
K2203	NRSA02J-0R0X	MG RESISTOR	0Ω 1/10W J	
K2204	NRSA02J-0R0X	MG RESISTOR	0Ω 1/10W J	

△ Symbol No.	Part No.	Part Name	Description	Local
K2205	NRSA02J-0R0X	MG RESISTOR	0Ω 1/10W J	
K2206	NRSA02J-0R0X	MG RESISTOR	0Ω 1/10W J	
K2207	NRSA02J-0R0X	MG RESISTOR	0Ω 1/10W J	
K2270	QQR0779-001Z	COIL		
K2500	QQR0621-001Z	COIL		
K2700	NQR0007-002X	FERRITE BEADS		
K7001	QQR0621-001Z	COIL		
K7300	QQR0621-001Z	COIL		
K7370	NQR0007-002X	FERRITE BEADS		
K7371	NQR0007-002X	FERRITE BEADS		
K7372	NQR0007-002X	FERRITE BEADS		
K7373	NQR0007-002X	FERRITE BEADS		
K7374	NQR0007-002X	FERRITE BEADS		
K7375	NRSA02J-0R0X	MG RESISTOR	0Ω 1/10W J	
PP12	QZW0038-001	WIRE CLAMP		
X7001	QAX0718-001Z	CRYSTAL	8.000000MHz	

Video board

Block No. [0][2][0][0]

△ Symbol No.	Part No.	Part Name	Description	Local
IC300	KIA7805API	IC		
IC301	MM1623XF-X	IC		
Q3005	KRC111S-X	TRANSISTOR		
C3001	QFLC1HJ-103Z	M CAPACITOR	0.01uF 50V J	
C3002	QETN1CM-107Z	E CAPACITOR	100uF 16V M	
C3003	QFLC1HJ-103Z	M CAPACITOR	0.01uF 50V J	
C3004	QETN1CM-107Z	E CAPACITOR	100uF 16V M	
C3005	QCB1HK-104Y	C CAPACITOR	0.1uF 50V K	
C3006	QETN1AM-477Z	E CAPACITOR	470uF 10V M	
C3007	QETN1CM-226Z	E CAPACITOR	22uF 16V M	
C3010	QCFB1HZ-105Y	C CAPACITOR	1uF 50V Z	
C3011	NCB30JK-105X	C CAPACITOR	1uF 6.3V K	
C3012	QCFB1HZ-105Y	C CAPACITOR	1uF 50V Z	
C3013	NCB30JK-105X	C CAPACITOR	1uF 6.3V K	
C3014	QETN0JM-477Z	E CAPACITOR	470uF 6.3V M	
C3015	QETN0JM-477Z	E CAPACITOR	470uF 6.3V M	
C3016	QETN0JM-477Z	E CAPACITOR	470uF 6.3V M	
C3017	NCS31HJ-181X	C CAPACITOR	180pF 50V J	
C3018	NCS31HJ-181X	C CAPACITOR	180pF 50V J	
C3019	NCS31HJ-181X	C CAPACITOR	180pF 50V J	
C3020	QETN0JM-477Z	E CAPACITOR	470uF 6.3V M	
C3021	QETN0JM-477Z	E CAPACITOR	470uF 6.3V M	
C3022	NCS31HJ-181X	C CAPACITOR	180pF 50V J	
C3023	NCS31HJ-181X	C CAPACITOR	180pF 50V J	
C3024	QETN0JM-477Z	E CAPACITOR	470uF 6.3V M	
C3025	NCS31HJ-181X	C CAPACITOR	180pF 50V J	
C3031	QCB1HK-103Y	C CAPACITOR	0.01uF 50V K	
R3006	NRSA63J-750X	MG RESISTOR	75Ω 1/16W J	
R3007	NRSA63J-750X	MG RESISTOR	75Ω 1/16W J	
R3008	NRSA63J-750X	MG RESISTOR	75Ω 1/16W J	
R3009	NRSA63J-750X	MG RESISTOR	75Ω 1/16W J	
R3010	NRSA63J-750X	MG RESISTOR	75Ω 1/16W J	
R3011	NRSA63J-750X	MG RESISTOR	75Ω 1/16W J	
R3021	NRSA63J-391X	MG RESISTOR	390Ω 1/16W J	
R3022	NRSA63J-271X	MG RESISTOR	270Ω 1/16W J	
R3023	NRSA63J-181X	MG RESISTOR	180Ω 1/16W J	
R3024	NRSA63J-471X	MG RESISTOR	470Ω 1/16W J	
R3025	NRSA63J-391X	MG RESISTOR	390Ω 1/16W J	
R3026	NRSA63J-271X	MG RESISTOR	270Ω 1/16W J	
R3027	NRSA63J-471X	MG RESISTOR	470Ω 1/16W J	
R3028	NRSA63J-910X	MG RESISTOR	91Ω 1/16W J	
R3029	NRSA63J-471X	MG RESISTOR	470Ω 1/16W J	
R3030	NRSA63J-910X	MG RESISTOR	91Ω 1/16W J	
R3031	NRSA63J-151X	MG RESISTOR	150Ω 1/16W J	
CN300	QGF1205F1-24	CONNECTOR	FFC/FPC (1-24)	
CN301	QGA2501F1-02	CONNECTOR	W-B (1-2)	
JA301	QNN0601-001	SPK TERMINAL		
JA302	QNN0434-001	PIN JACK		

△ Symbol No.	Part No.	Part Name	Description	Local
PP300	QZW0038-001	WIRE CLAMP		

Power board

Block No. [0][3][0][0]

△ Symbol No.	Part No.	Part Name	Description	Local
△ IC411	LA4628	IC		
△ IC421	LA4628	IC		
IC440	LB1641	IC		
IC750	NJU6433FG1	LCD DRIVER		
IC760	GP1UM261XK	IR DETECT UNIT	38kHz	
Q1001	KTC3199/GL-T	TRANSISTOR		
Q1002	KTC1027/OY-T	TRANSISTOR		
Q4121	2SC3576-JVC-T	TRANSISTOR		
Q4122	2SC3576-JVC-T	TRANSISTOR		
Q4123	KRA102M-T	DIGI TRANSISTOR		
Q4124	KRC102M-T	DIGI TRANSISTOR		
Q4131	KRA109M-T	DIGI TRANSISTOR		
Q4132	KRA109M-T	DIGI TRANSISTOR		
Q4133	KRA109M-T	DIGI TRANSISTOR		
Q4134	KRA109M-T	DIGI TRANSISTOR		
Q4135	KRC109M-T	DIGI TRANSISTOR		
Q4221	2SC3576-JVC-T	TRANSISTOR		
Q4222	2SC3576-JVC-T	TRANSISTOR		
Q4231	KRA109M-T	DIGI TRANSISTOR		
Q4232	KRA109M-T	DIGI TRANSISTOR		
Q4233	KRA109M-T	DIGI TRANSISTOR		
Q4234	KRA109M-T	DIGI TRANSISTOR		
Q4235	KRC109M-T	DIGI TRANSISTOR		
Q4301	KTC3199/GL-T	TRANSISTOR		
Q4302	KTC3199/GL-T	TRANSISTOR		
△ Q4303	KTA1046/Y/	TRANSISTOR		
Q7600	KRC111M-T	TRANSISTOR		
△ D1001	1N5401-TM	SI DIODE		
△ D1002	1N5401-TM	SI DIODE		
△ D1003	1N5401-TM	SI DIODE		
△ D1004	1N5401-TM	SI DIODE		
△ D1005	6A10E2	SI DIODE		
△ D1006	6A10E2	SI DIODE		
△ D1007	6A10E2	SI DIODE		
△ D1008	6A10E2	SI DIODE		
△ D1009	6A10E2	SI DIODE		
△ D1010	6A10E2	SI DIODE		
△ D1011	6A10E2	SI DIODE		
△ D1012	6A10E2	SI DIODE		
D1013	MTZJ6.2C-T2	Z DIODE		
D1014	1N4003S-T5	SI DIODE		
D1015	1SS119-041-T2	DIODE		
△ D4001	2A02-M	DIODE		
D4002	1SS119-041-T2	DIODE		
D4301	MTZJ5.1C-T2	Z DIODE		
D4401	MTZJ5.6A-T2	Z DIODE		
D7500	SELU1E54CM-S	LED		
D7600	SELU2E10C-P	LED		
D7601	SPR-39MVWF	LED	RED-GREEN	
D7602	1SS119-041-T2	DIODE		
D7603	1SS119-041-T2	DIODE		
C1001	QFLC1HJ-104Z	M CAPACITOR	0.1uF 50V J	
C1002	QFLC1HJ-104Z	M CAPACITOR	0.1uF 50V J	
C1003	QFLC1HJ-104Z	M CAPACITOR	0.1uF 50V J	
C1004	QFLC1HJ-104Z	M CAPACITOR	0.1uF 50V J	
C1005	QFLC1HJ-104Z	M CAPACITOR	0.1uF 50V J	
C1006	QFLC1HJ-104Z	M CAPACITOR	0.1uF 50V J	
C1007	QFLC1HJ-104Z	M CAPACITOR	0.1uF 50V J	
C1008	QFLC1HJ-104Z	M CAPACITOR	0.1uF 50V J	
C1009	QFLC1HJ-104Z	M CAPACITOR	0.1uF 50V J	
C1010	QFLC1HJ-104Z	M CAPACITOR	0.1uF 50V J	
C1011	QFLC1HJ-104Z	M CAPACITOR	0.1uF 50V J	
C1012	QFLC1HJ-104Z	M CAPACITOR	0.1uF 50V J	
C1013	QDXB1CM-472Y	C CAPACITOR	4700pF 16V M	

△ Symbol No.	Part No.	Part Name	Description	Local
C1014	QETN0JM-477Z	E CAPACITOR	470uF 6.3V M	
C1015	QETM1EM-108	E CAPACITOR	1000uF 25V M	
△ C1016	QCZ9105-472	C CAPACITOR	4700pF 250V M	
C4001	QETM1EM-478	E CAPACITOR	4700uF 25V M	
C4002	QETM1EM-478	E CAPACITOR	4700uF 25V M	
C4101	QETM1EM-828	E CAPACITOR	8200uF 25V M	
C4102	EETC1CM-107ZJC	E CAPACITOR		
C4103	QTE1V06-106Z	E CAPACITOR	10uF 35V	
C4107	QETN1CM-336Z	E CAPACITOR	33uF 16V M	
C4108	QTE1V06-106Z	E CAPACITOR	10uF 35V	
C4109	QFLC1HJ-223Z	M CAPACITOR	0.022uF 50V J	
C4110	QETN1HM-474Z	E CAPACITOR	0.47uF 50V M	
C4111	QFLC1HJ-104Z	M CAPACITOR	0.1uF 50V J	
C4112	QFLC1HJ-104Z	M CAPACITOR	0.1uF 50V J	
C4113	QFLC1HJ-104Z	M CAPACITOR	0.1uF 50V J	
C4114	QFLC1HJ-104Z	M CAPACITOR	0.1uF 50V J	
C4115	QETN1EM-107Z	E CAPACITOR	100uF 25V M	
C4117	QDGB1HK-102Y	C CAPACITOR	1000pF 50V K	
C4118	QDGB1HK-102Y	C CAPACITOR	1000pF 50V K	
C4121	QETN1AM-227Z	E CAPACITOR	220uF 10V M	
C4131	QENC1EM-106Z	BP E CAPACITOR	10uF 25V M	
C4132	QENC1EM-106Z	BP E CAPACITOR	10uF 25V M	
C4201	QETM1EM-828	E CAPACITOR	8200uF 25V M	
C4202	EETC1CM-107ZJC	E CAPACITOR		
C4203	QTE1H28-105Z	E CAPACITOR	1uF 50V	
C4207	QETN1CM-336Z	E CAPACITOR	33uF 16V M	
C4208	QTE1H28-105Z	E CAPACITOR	1uF 50V	
C4209	QFLC1HJ-223Z	M CAPACITOR	0.022uF 50V J	
C4210	QETN1HM-474Z	E CAPACITOR	0.47uF 50V M	
C4211	QFLC1HJ-104Z	M CAPACITOR	0.1uF 50V J	
C4212	QFLC1HJ-104Z	M CAPACITOR	0.1uF 50V J	
C4213	QFLC1HJ-104Z	M CAPACITOR	0.1uF 50V J	
C4214	QFLC1HJ-104Z	M CAPACITOR	0.1uF 50V J	
C4215	QETN1EM-107Z	E CAPACITOR	100uF 25V M	
C4217	QDGB1HK-102Y	C CAPACITOR	1000pF 50V K	
C4218	QDGB1HK-102Y	C CAPACITOR	1000pF 50V K	
C4231	QENC1EM-106Z	BP E CAPACITOR	10uF 25V M	
C4232	QENC1EM-106Z	BP E CAPACITOR	10uF 25V M	
C4301	QCBB1HK-103Y	C CAPACITOR	0.01uF 50V K	
C4302	QCBB1HK-221Y	C CAPACITOR	220pF 50V K	
C4401	QCFB1HZ-104Y	C CAPACITOR	0.1uF 50V Z	
C4402	QDYB1CM-103Y	C CAPACITOR	0.01uF 16V M	
C4403	QETN1CM-107Z	E CAPACITOR	100uF 16V M	
C7500	QEKC1AM-107Z	E CAPACITOR	100uF 10V M	
C7600	QDGB1HK-102Y	C CAPACITOR	1000pF 50V K	
C7601	QERF1CM-476Z	E CAPACITOR	47uF 16V M	
C7602	QDYB1CM-103Y	C CAPACITOR	0.01uF 16V M	
C7603	QDYB1CM-103Y	C CAPACITOR	0.01uF 16V M	
R1001	QRE141J-332Y	C RESISTOR	3.3kΩ 1/4W J	
R1002	QRE141J-821Y	C RESISTOR	820Ω 1/4W J	
△ R1003	QRZ9037-335	COMP RESISTOR	3.3MΩ 1/2W K	
R4101	QRE141J-333Y	C RESISTOR	33kΩ 1/4W J	
R4102	QRE141J-333Y	C RESISTOR	33kΩ 1/4W J	
R4103	QRE141J-2R2Y	C RESISTOR	2.2Ω 1/4W J	
R4104	QRE141J-2R2Y	C RESISTOR	2.2Ω 1/4W J	
R4105	QRE141J-2R2Y	C RESISTOR	2.2Ω 1/4W J	
R4106	QRE141J-2R2Y	C RESISTOR	2.2Ω 1/4W J	
R4107	QRE141J-102Y	C RESISTOR	1kΩ 1/4W J	
R4108	QRE141J-102Y	C RESISTOR	1kΩ 1/4W J	
R4121	QRE141J-222Y	C RESISTOR	2.2kΩ 1/4W J	
R4122	QRE141J-222Y	C RESISTOR	2.2kΩ 1/4W J	
R4123	QRE141J-222Y	C RESISTOR	2.2kΩ 1/4W J	
R4124	QRE141J-222Y	C RESISTOR	2.2kΩ 1/4W J	
R4131	QRE141J-433Y	C RESISTOR	43kΩ 1/4W J	
R4132	QRE141J-433Y	C RESISTOR	43kΩ 1/4W J	
R4133	QRE141J-433Y	C RESISTOR	43kΩ 1/4W J	
R4134	QRE141J-433Y	C RESISTOR	43kΩ 1/4W J	
R4201	QRE141J-333Y	C RESISTOR	33kΩ 1/4W J	
R4202	QRE141J-333Y	C RESISTOR	33kΩ 1/4W J	
R4203	QRE141J-2R2Y	C RESISTOR	2.2Ω 1/4W J	
R4204	QRE141J-2R2Y	C RESISTOR	2.2Ω 1/4W J	
R4205	QRE141J-2R2Y	C RESISTOR	2.2Ω 1/4W J	
R4206	QRE141J-2R2Y	C RESISTOR	2.2Ω 1/4W J	
R4207	QRE141J-682Y	C RESISTOR	6.8kΩ 1/4W J	
R4208	QRE141J-682Y	C RESISTOR	6.8kΩ 1/4W J	
R4221	QRE141J-222Y	C RESISTOR	2.2kΩ 1/4W J	
R4222	QRE141J-222Y	C RESISTOR	2.2kΩ 1/4W J	

△ Symbol No. Part No. Part Name Description Local

R4231	QRE141J-433Y	C RESISTOR	43kΩ 1/4W J	
R4232	QRE141J-433Y	C RESISTOR	43kΩ 1/4W J	
R4233	QRE141J-433Y	C RESISTOR	43kΩ 1/4W J	
R4234	QRE141J-433Y	C RESISTOR	43kΩ 1/4W J	
R4301	QRE141J-681Y	C RESISTOR	680Ω 1/4W J	
R4302	QRE141J-272Y	C RESISTOR	2.7kΩ 1/4W J	
R4303	QRE141J-472Y	C RESISTOR	4.7kΩ 1/4W J	
R4304	QRE141J-681Y	C RESISTOR	680Ω 1/4W J	
R4305	QRE141J-102Y	C RESISTOR	1kΩ 1/4W J	
R4306	QRE141J-102Y	C RESISTOR	1kΩ 1/4W J	
R4307	QRE141J-102Y	C RESISTOR	1kΩ 1/4W J	
R7500	QRE141J-103Y	C RESISTOR	10kΩ 1/4W J	
R7501	QRE141J-134Y	C RESISTOR	130kΩ 1/4W J	
R7502	QRE141J-241Y	C RESISTOR	240Ω 1/4W J	
R7600	QRE141J-221Y	C RESISTOR	220Ω 1/4W J	
R7601	QRE141J-161Y	C RESISTOR	160Ω 1/4W J	
R7602	QRE141J-102Y	C RESISTOR	1kΩ 1/4W J	
R7603	QRE141J-102Y	C RESISTOR	1kΩ 1/4W J	
R7604	QRE141J-122Y	C RESISTOR	1.2kΩ 1/4W J	
R7605	QRE141J-182Y	C RESISTOR	1.8kΩ 1/4W J	
R7606	QRE141J-222Y	C RESISTOR	2.2kΩ 1/4W J	
R7607	QRE141J-272Y	C RESISTOR	2.7kΩ 1/4W J	
R7609	QRE141J-102Y	C RESISTOR	1kΩ 1/4W J	
R7610	QRE141J-102Y	C RESISTOR	1kΩ 1/4W J	
R7611	QRE141J-122Y	C RESISTOR	1.2kΩ 1/4W J	
R7612	QRE141J-182Y	C RESISTOR	1.8kΩ 1/4W J	
R7613	QRE141J-222Y	C RESISTOR	2.2kΩ 1/4W J	
R7614	QRE141J-272Y	C RESISTOR	2.7kΩ 1/4W J	
L4401	QQL244K-100Z	COIL	10uH K	
△ T1002	QQT0253-012	POWER TRANSF		
△ CN101	QGA7901C1-02	CONNECTOR	W-B (1-2)	
△ CN102	QGA7901C1-02	CONNECTOR	W-B (1-2)	
CN103	QGA3901C1-07	CONNECTOR	W-B (1-7)	
CN104	QGB2510J1-10	CONNECTOR	B-B (1-10)	
CN401	QGB2510K2-11	CONNECTOR	B-B (1-11)	
CN402	QGF1205C1-22	CONNECTOR	FFC/FPC (1-22)	
CN403	QGB2510K2-10	CONNECTOR	B-B (1-10)	
CN404	QGF1016F3-05	CONNECTOR	FFC/FPC (1-5)	
CN750	QGF1205F1-15	CONNECTOR	FFC/FPC (1-15)	
CN751	QGF1205F1-10	CONNECTOR	FFC/FPC (1-10)	
CN760	QGF1205F1-10	CONNECTOR	FFC/FPC (1-10)	
JS760	QSW1060-001	ROTARY SW		
△ RY101	QSK0124-001	RELAY		
S7600	QSW0825-001Z	TACT SW		
S7601	QSW0825-001Z	TACT SW		
S7602	QSW0825-001Z	TACT SW		
S7603	QSW0825-001Z	TACT SW		
S7604	QSW0825-001Z	TACT SW		
S7605	QSW0825-001Z	TACT SW		
S7606	QSW0825-001Z	TACT SW		
S7607	QSW0825-001Z	TACT SW		
S7608	QSW0825-001Z	TACT SW		
S7609	QSW0825-001Z	TACT SW		
S7610	QSW0825-001Z	TACT SW		
S7611	QSW0825-001Z	TACT SW		
Z1001	QNG0003-001Z	FUSE CLIP		
Z1002	QNG0003-001Z	FUSE CLIP		
Z1005	QNG0003-001Z	FUSE CLIP		
Z1006	QNG0003-001Z	FUSE CLIP		
Z1007	QNG0003-001Z	FUSE CLIP		
Z1008	QNG0003-001Z	FUSE CLIP		
Z1009	QNG0003-001Z	FUSE CLIP		
Z1010	QNG0003-001Z	FUSE CLIP		
Z1011	QNG0003-001Z	FUSE CLIP		
Z1012	QNG0003-001Z	FUSE CLIP		

DVD loading switch board

Block No. [0][4][0][0]

△ Symbol No.	Part No.	Part Name	Description	Local
CN1	QGF1016F3-05	CONNECTOR	FFC/FPC (1-5)	
S1	QSW1007-001	DETECT SWITCH		

DVD servo board

Block No. [0][5][0][0]

△ Symbol No.	Part No.	Part Name	Description	Local
IC201	LA6502-X	IC		
IC301	MN2DS0003AA-H	IC		
IC302	LM1117MP-ADJ-X	IC		
IC453	S-80827CNNB-W	IC		
IC505	K4S641632H-TC75	IC(DIGITAL)		
IC505	or K4S641632H-UC75	IC		
IC509	AT49LV1614T90TC	IC (FLASH)		
IC701	AK4384VT-X	IC		
Q101	KTA1001/Y/-X	TRANSISTOR		
Q101	or 2SB1424/R/-W	TRANSISTOR		
Q102	2SC4617/R/-X	TRANSISTOR		
Q103	KTA1001/Y/-X	TRANSISTOR		
Q103	or 2SB1424/R/-W	TRANSISTOR		
Q104	2SC4617/R/-X	TRANSISTOR		
Q105	UN2119-X	TRANSISTOR		
C101	NCB31CK-104X	C CAPACITOR	0.1uF 16V K	
C102	NCB31CK-104X	C CAPACITOR	0.1uF 16V K	
C103	NCB31CK-104X	C CAPACITOR	0.1uF 16V K	
C104	NCB31CK-104X	C CAPACITOR	0.1uF 16V K	
C105	NEA70JM-476X	E CAPACITOR	47uF 6.3V M	
C106	NEA70JM-476X	E CAPACITOR	47uF 6.3V M	
C107	NCB31CK-104X	C CAPACITOR	0.1uF 16V K	
C108	NEA70JM-476X	E CAPACITOR	47uF 6.3V M	
C111	NCB31CK-104X	C CAPACITOR	0.1uF 16V K	
C204	NCB31CK-104X	C CAPACITOR	0.1uF 16V K	
C205	NCB31HK-271X	C CAPACITOR	270pF 50V K	
C206	NDC31HJ-151X	C CAPACITOR	150pF 50V J	
C208	NCB31HK-561X	C CAPACITOR	560pF 50V K	
C211	NCB31HK-223X	C CAPACITOR	0.022uF 50V K	
C212	NCB31CK-103X	C CAPACITOR	0.01uF 16V K	
C217	NCB31CK-104X	C CAPACITOR	0.1uF 16V K	
C251	NCB31AK-474X	C CAPACITOR	0.47uF 10V K	
C253	NCB31HK-561X	C CAPACITOR	560pF 50V K	
C255	NCB31CK-153X	C CAPACITOR	0.015uF 16V K	
C256	NCB31CK-104X	C CAPACITOR	0.1uF 16V K	
C257	NCB31HK-822X	C CAPACITOR	8200pF 50V K	
C258	NCB31CK-153X	C CAPACITOR	0.015uF 16V K	
C259	NCB31CK-153X	C CAPACITOR	0.015uF 16V K	
C260	NCB31EK-223X	C CAPACITOR	0.022uF 25V K	
C261	NCB31EK-223X	C CAPACITOR	0.022uF 25V K	
C262	NCB31EK-223X	C CAPACITOR	0.022uF 25V K	
C264	NEA70JM-227X	E CAPACITOR	220uF 6.3V M	
C301	NEA70GM-227X	E CAPACITOR	220uF 4V M	
C302	NEA70GM-476X	E CAPACITOR	47uF 4V M	
C303	NEA70GM-476X	E CAPACITOR	47uF 4V M	
C304	NCB31CK-105X	C CAPACITOR	1uF 16V K	
C305	NCB31CK-104X	C CAPACITOR	0.1uF 16V K	
C306	NCB31CK-104X	C CAPACITOR	0.1uF 16V K	
C307	NCB31CK-104X	C CAPACITOR	0.1uF 16V K	
C308	NCB31CK-104X	C CAPACITOR	0.1uF 16V K	
C309	NCB31CK-104X	C CAPACITOR	0.1uF 16V K	
C310	NCB31CK-104X	C CAPACITOR	0.1uF 16V K	
C311	NCB31CK-104X	C CAPACITOR	0.1uF 16V K	
C312	NCB31CK-104X	C CAPACITOR	0.1uF 16V K	
C313	NCB31CK-104X	C CAPACITOR	0.1uF 16V K	
C314	NCB31CK-104X	C CAPACITOR	0.1uF 16V K	
C315	NCB31CK-104X	C CAPACITOR	0.1uF 16V K	
C316	NCB31CK-104X	C CAPACITOR	0.1uF 16V K	
C317	NCB31CK-104X	C CAPACITOR	0.1uF 16V K	
C318	NCB31CK-104X	C CAPACITOR	0.1uF 16V K	

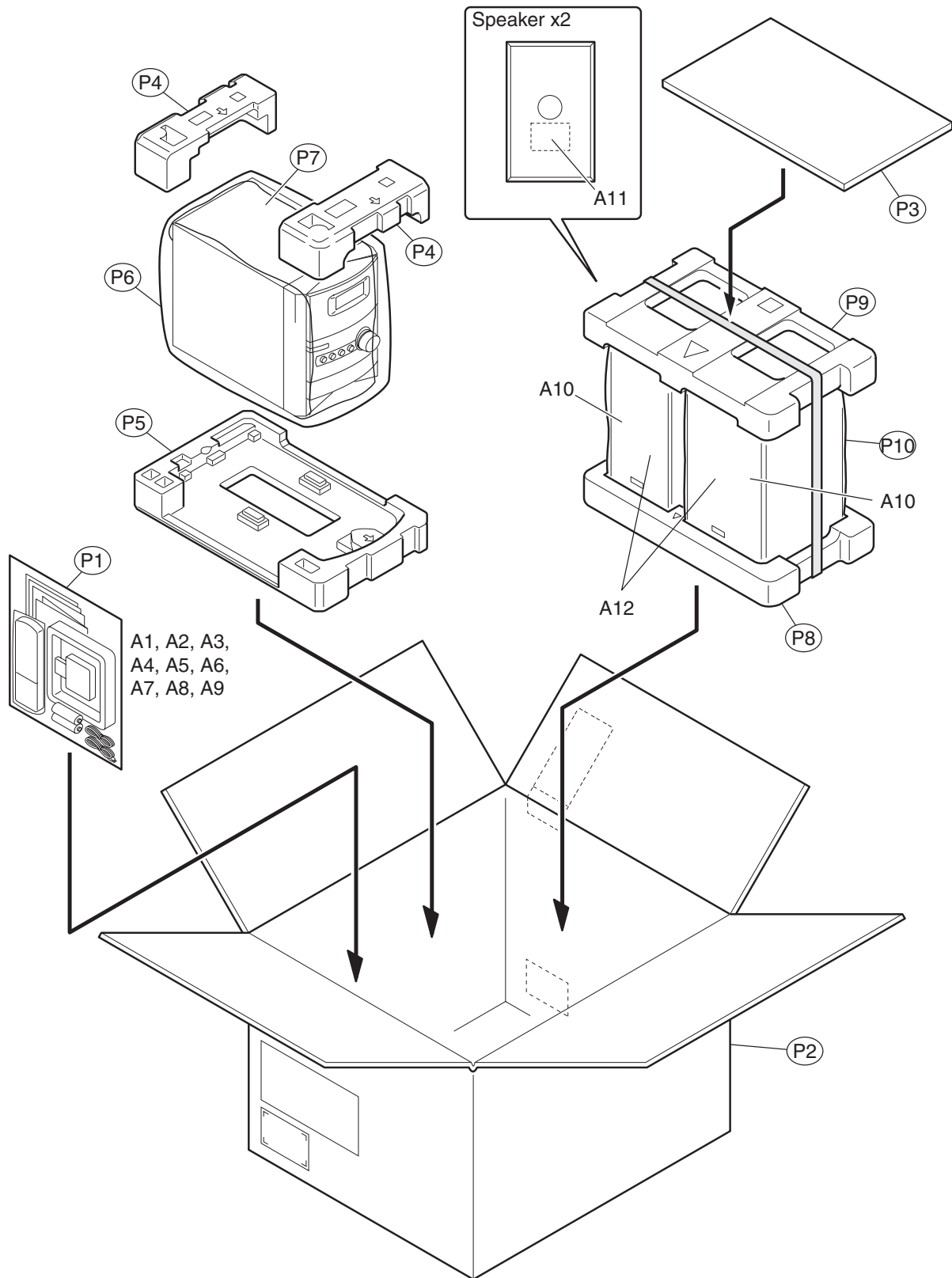
△ Symbol No.	Part No.	Part Name	Description	Local	△ Symbol No.	Part No.	Part Name	Description	Local
C319	NCB31CK-104X	C CAPACITOR	0.1uF 16V K		R123	NRSA63J-0R0X	MG RESISTOR	0Ω 1/16W J	
C320	NCB31CK-104X	C CAPACITOR	0.1uF 16V K		R125	NRS125J-1R0X	MG RESISTOR	1Ω 1/2W J	
C321	NCB31CK-104X	C CAPACITOR	0.1uF 16V K		R126	NRSA02J-181X	MG RESISTOR	180Ω 1/10W J	
C322	NCB31CK-104X	C CAPACITOR	0.1uF 16V K		R128	NRSA63J-0R0X	MG RESISTOR	0Ω 1/16W J	
C323	NCB31CK-104X	C CAPACITOR	0.1uF 16V K		R204	NRSA63J-273X	MG RESISTOR	27kΩ 1/16W J	
C324	NCB21CK-105X	C CAPACITOR	1uF 16V K		R205	NRSA63J-273X	MG RESISTOR	27kΩ 1/16W J	
C325	NDC31HJ-180X	C CAPACITOR	18pF 50V J		R206	NRSA63J-303X	MG RESISTOR	30kΩ 1/16W J	
C326	NDC31HJ-150X	C CAPACITOR	15pF 50V J		R207	NRSA63J-473X	MG RESISTOR	47kΩ 1/16W J	
C327	NCB31HK-103X	C CAPACITOR	0.01uF 50V K		R208	NRSA63J-223X	MG RESISTOR	22kΩ 1/16W J	
C330	NCB31CK-104X	C CAPACITOR	0.1uF 16V K		R213	NRSA63J-103X	MG RESISTOR	10kΩ 1/16W J	
C331	NCB31CK-333X	C CAPACITOR	0.033uF 16V K		R214	NRSA63J-103X	MG RESISTOR	10kΩ 1/16W J	
C332	NCB31CK-104X	C CAPACITOR	0.1uF 16V K		R215	NRSA63J-103X	MG RESISTOR	10kΩ 1/16W J	
C333	NCB31CK-104X	C CAPACITOR	0.1uF 16V K		R219	NRSA63J-183X	MG RESISTOR	18kΩ 1/16W J	
C334	NCB31CK-104X	C CAPACITOR	0.1uF 16V K		R220	NRSA63J-243X	MG RESISTOR	24kΩ 1/16W J	
C335	NCB31CK-104X	C CAPACITOR	0.1uF 16V K		R221	NRSA63J-682X	MG RESISTOR	6.8kΩ 1/16W J	
C337	NCB31CK-183X	C CAPACITOR	0.018uF 16V K		R251	NRS125J-R47X	MG RESISTOR	0.47Ω 1/2W J	
C338	NCB31HK-562X	C CAPACITOR	5600pF 50V K		R252	NRSA63J-2R2X	MG RESISTOR	2.2Ω 1/16W J	
C339	NCB31CK-104X	C CAPACITOR	0.1uF 16V K		R254	NRSA63J-203X	MG RESISTOR	20kΩ 1/16W J	
C340	NCB21CK-105X	C CAPACITOR	1uF 16V K		R255	NRSA63J-103X	MG RESISTOR	10kΩ 1/16W J	
C341	NCB30JK-105X	C CAPACITOR	1uF 6.3V K		R257	NRSA63J-0R0X	MG RESISTOR	0Ω 1/16W J	
C347	NCB31CK-104X	C CAPACITOR	0.1uF 16V K		R259	NRSA63J-103X	MG RESISTOR	10kΩ 1/16W J	
C348	NCB31CK-104X	C CAPACITOR	0.1uF 16V K		R302	NRSA63J-240X	MG RESISTOR	24Ω 1/16W J	
C349	NCB31CK-104X	C CAPACITOR	0.1uF 16V K		R303	NRSA63J-270X	MG RESISTOR	27Ω 1/16W J	
C350	NCB31CK-104X	C CAPACITOR	0.1uF 16V K		R306	NRSA63J-102X	MG RESISTOR	1kΩ 1/16W J	
C356	NCB21CK-105X	C CAPACITOR	1uF 16V K		R307	NRSA63J-102X	MG RESISTOR	1kΩ 1/16W J	
C359	NCB31CK-104X	C CAPACITOR	0.1uF 16V K		R308	NRSA63J-223X	MG RESISTOR	22kΩ 1/16W J	
C371	NCB21CK-105X	C CAPACITOR	1uF 16V K		R309	NRSA63J-104X	MG RESISTOR	100kΩ 1/16W J	
C374	NCB31CK-104X	C CAPACITOR	0.1uF 16V K		R310	NRS125J-R47X	MG RESISTOR	0.47Ω 1/2W J	
C391	NCB31CK-104X	C CAPACITOR	0.1uF 16V K		R312	NRSA63J-0R0X	MG RESISTOR	0Ω 1/16W J	
C392	NCB31CK-104X	C CAPACITOR	0.1uF 16V K		R313	NRSA63J-0R0X	MG RESISTOR	0Ω 1/16W J	
C455	NCB31CK-103X	C CAPACITOR	0.01uF 16V K		R314	NRSA63J-0R0X	MG RESISTOR	0Ω 1/16W J	
C505	NDC31HJ-330X	C CAPACITOR	33pF 50V J		R315	NRSA63J-0R0X	MG RESISTOR	0Ω 1/16W J	
C506	NDC31HJ-330X	C CAPACITOR	33pF 50V J		R316	NRSA63J-0R0X	MG RESISTOR	0Ω 1/16W J	
C507	NDC31HJ-330X	C CAPACITOR	33pF 50V J		R317	NRSA63J-0R0X	MG RESISTOR	0Ω 1/16W J	
C508	NDC31HJ-330X	C CAPACITOR	33pF 50V J		R318	NRSA63J-333X	MG RESISTOR	33kΩ 1/16W J	
C509	NDC31HJ-330X	C CAPACITOR	33pF 50V J		R319	NRSA63J-0R0X	MG RESISTOR	0Ω 1/16W J	
C510	NDC31HJ-330X	C CAPACITOR	33pF 50V J		R320	NRSA63J-103X	MG RESISTOR	10kΩ 1/16W J	
C547	NCB31CK-104X	C CAPACITOR	0.1uF 16V K		R322	NRSA63J-473X	MG RESISTOR	47kΩ 1/16W J	
C551	NCB31CK-104X	C CAPACITOR	0.1uF 16V K		R323	NRSA63J-0R0X	MG RESISTOR	0Ω 1/16W J	
C552	NCB31CK-104X	C CAPACITOR	0.1uF 16V K		R325	NRSA63J-331X	MG RESISTOR	330Ω 1/16W J	
C553	NBE20JM-226X	TA E CAPACITOR	22uF 6.3V M		R326	NRSA63J-331X	MG RESISTOR	330Ω 1/16W J	
C554	NCB31CK-104X	C CAPACITOR	0.1uF 16V K		R333	NRSA63J-163X	MG RESISTOR	16kΩ 1/16W J	
C555	NCB31CK-104X	C CAPACITOR	0.1uF 16V K		R334	NRSA63J-151X	MG RESISTOR	150Ω 1/16W J	
C556	NCB31CK-104X	C CAPACITOR	0.1uF 16V K		R335	NRSA63J-151X	MG RESISTOR	150Ω 1/16W J	
C557	NCF31AZ-105X	C CAPACITOR	1uF 10V Z		R336	NRSA63J-151X	MG RESISTOR	150Ω 1/16W J	
C558	NCB31CK-104X	C CAPACITOR	0.1uF 16V K		R337	NRSA63J-151X	MG RESISTOR	150Ω 1/16W J	
C559	NCB31CK-104X	C CAPACITOR	0.1uF 16V K		R338	NRSA63J-0R0X	MG RESISTOR	0Ω 1/16W J	
C701	NCB31CK-104X	C CAPACITOR	0.1uF 16V K		R339	NRSA63J-0R0X	MG RESISTOR	0Ω 1/16W J	
C704	NEA70JM-227X	E CAPACITOR	220uF 6.3V M		R340	NRSA63D-303X	MG RESISTOR	30kΩ 1/16W D	
C706	NEA71CM-106X	E CAPACITOR	10uF 16V M		R341	NRSA63D-362X	MG RESISTOR	3.6kΩ 1/16W D	
C707	NCB31CK-104X	C CAPACITOR	0.1uF 16V K		R342	NRSA63D-222X	MG RESISTOR	2.2kΩ 1/16W D	
C721	NCB31HK-102X	C CAPACITOR	1000pF 50V K		R343	NRSA63J-0R0X	MG RESISTOR	0Ω 1/16W J	
C902	NCB31CK-104X	C CAPACITOR	0.1uF 16V K		R344	NRSA63J-6R8X	MG RESISTOR	6.8Ω 1/16W J	
C903	NCB31CK-104X	C CAPACITOR	0.1uF 16V K		R345	NQR0129-002X	FERRITE BEADS		
C904	NCB31CK-104X	C CAPACITOR	0.1uF 16V K		R351	NRSA63J-681X	MG RESISTOR	680Ω 1/16W J	
C906	NCB31CK-104X	C CAPACITOR	0.1uF 16V K		R352	NRSA63J-105X	MG RESISTOR	1MΩ 1/16W J	
R101	NRSA63J-101X	MG RESISTOR	100Ω 1/16W J		R357	NRSA63J-101X	MG RESISTOR	100Ω 1/16W J	
R102	NRSA63J-101X	MG RESISTOR	100Ω 1/16W J		R358	NRSA63J-101X	MG RESISTOR	100Ω 1/16W J	
R103	NRSA63J-243X	MG RESISTOR	24kΩ 1/16W J		R361	NRSA63J-101X	MG RESISTOR	100Ω 1/16W J	
R104	NRSA63J-303X	MG RESISTOR	30kΩ 1/16W J		R362	NRSA63J-331X	MG RESISTOR	330Ω 1/16W J	
R105	NRS125J-270X	MG RESISTOR	27Ω 1/2W J		R363	NRSA63J-151X	MG RESISTOR	150Ω 1/16W J	
R106	NRSA63J-2R2X	MG RESISTOR	2.2Ω 1/16W J		R372	NRSA63J-102X	MG RESISTOR	1kΩ 1/16W J	
R107	NRSA63J-101X	MG RESISTOR	100Ω 1/16W J		R373	NRSA63J-102X	MG RESISTOR	1kΩ 1/16W J	
R108	NRSA63J-471X	MG RESISTOR	470Ω 1/16W J		R378	NRSA63J-102X	MG RESISTOR	1kΩ 1/16W J	
R109	NRSA63J-471X	MG RESISTOR	470Ω 1/16W J		R379	NRSA63J-102X	MG RESISTOR	1kΩ 1/16W J	
R110	NRSA63J-0R0X	MG RESISTOR	0Ω 1/16W J		R384	NRSA63J-102X	MG RESISTOR	1kΩ 1/16W J	
R111	NRSA63J-243X	MG RESISTOR	24kΩ 1/16W J		R385	NRSA63J-102X	MG RESISTOR	1kΩ 1/16W J	
R112	NRSA63J-303X	MG RESISTOR	30kΩ 1/16W J		R390	NRSA63J-472X	MG RESISTOR	4.7kΩ 1/16W J	
R113	NRS125J-270X	MG RESISTOR	27Ω 1/2W J		R391	NAD0025-103X	N THERMISTOR	10kΩ	
R114	NRSA63J-2R2X	MG RESISTOR	2.2Ω 1/16W J		R392	NRSA63J-103X	MG RESISTOR	10kΩ 1/16W J	
R115	NRSA63J-101X	MG RESISTOR	100Ω 1/16W J		R393	NRSA63J-0R0X	MG RESISTOR	0Ω 1/16W J	
R116	NRSA63J-471X	MG RESISTOR	470Ω 1/16W J		R394	NRSA63J-0R0X	MG RESISTOR	0Ω 1/16W J	
R117	NRSA63J-331X	MG RESISTOR	330Ω 1/16W J		R395	NRSA02J-0R0X	MG RESISTOR	0Ω 1/10W J	
R118	NRSA63J-0R0X	MG RESISTOR	0Ω 1/16W J		R457	NRSA63J-0R0X	MG RESISTOR	0Ω 1/16W J	
R119	NRSA63J-0R0X	MG RESISTOR	0Ω 1/16W J		R458	NRSA63J-102X	MG RESISTOR	1kΩ 1/16W J	
R120	NRSA63J-0R0X	MG RESISTOR	0Ω 1/16W J		R501	NRSA63J-471X	MG RESISTOR	470Ω 1/16W J	
R122	NRSA63J-0R0X	MG RESISTOR	0Ω 1/16W J		R502	NRSA63J-471X	MG RESISTOR	470Ω 1/16W J	
					R503	NRSA63J-101X	MG RESISTOR	100Ω 1/16W J	

Symbol No.	Part No.	Part Name	Description	Local
R510	NRSA63J-0R0X	MG RESISTOR	0Ω 1/16W J	
R551	NRSA63J-102X	MG RESISTOR	1kΩ 1/16W J	
R553	NQR0129-002X	FERRITE BEADS		
R554	NQR0129-002X	FERRITE BEADS		
R555	NQR0129-002X	FERRITE BEADS		
R556	NQR0129-002X	FERRITE BEADS		
R557	NQR0129-002X	FERRITE BEADS		
R558	NRSA63J-102X	MG RESISTOR	1kΩ 1/16W J	
R701	NRSA63J-1R0X	MG RESISTOR	1Ω 1/16W J	
R702	NRSA63J-0R0X	MG RESISTOR	0Ω 1/16W J	
R710	NRSA63J-100X	MG RESISTOR	10Ω 1/16W J	
R711	NRSA63J-101X	MG RESISTOR	100Ω 1/16W J	
R712	NRSA63J-101X	MG RESISTOR	100Ω 1/16W J	
R713	NRSA63J-101X	MG RESISTOR	100Ω 1/16W J	
R716	NRSA63J-0R0X	MG RESISTOR	0Ω 1/16W J	
R718	NRSA63J-473X	MG RESISTOR	47kΩ 1/16W J	
R719	NRSA63J-0R0X	MG RESISTOR	0Ω 1/16W J	
R909	NRSA02J-0R0X	MG RESISTOR	0Ω 1/10W J	
R911	NRSA02J-0R0X	MG RESISTOR	0Ω 1/10W J	
L501	NQL044K-100X	COIL	0.26Ω 10uH K	
CN101	QGF0523F1-24W	CONNECTOR	FFC/FPC (1-24)	
CN201	QGF1016F2-08W	CONNECTOR	FFC/FPC (1-8)	
CN501	QGF1016F2-19W	CONNECTOR	FFC/FPC (1-19)	
CN503	QGF1016F2-17W	CONNECTOR	FFC/FPC (1-17)	
K101	NRSA02J-0R0X	MG RESISTOR	0Ω 1/10W J	
K102	NRSA02J-0R0X	MG RESISTOR	0Ω 1/10W J	
K301	NQR0354-001X	FERRITE BEADS		
K302	NRSA63J-101X	MG RESISTOR	100Ω 1/16W J	
K303	NRSA63J-101X	MG RESISTOR	100Ω 1/16W J	
K304	NQR0354-001X	FERRITE BEADS		
K501	NQR0129-002X	FERRITE BEADS		
K551	NQR0129-002X	FERRITE BEADS		
K552	NQR0129-002X	FERRITE BEADS		
K553	NQR0129-002X	FERRITE BEADS		
K554	NQR0129-002X	FERRITE BEADS		
K555	NQR0022-005X	FERRITE BEADS		
K556	NQR0129-002X	FERRITE BEADS		
X351	NAX0550-001X	CRYSTAL	27.000MHz	

<MEMO>

Packing materials and accessories parts list

Block No. M 3 M M



Packing and Accessories

Block No. [M][3][M][M]

△	Symbol No.	Part No.	Part Name	Description	Local
	A 1	QAL0014-001	AM LOOP ANT		
	A 2	QAL0457-001	ANT.WIRE		
	A 3	GVT0130-001A	INST BOOK	ENG FRE	
	A 4	RM-SFSP550J	REMOCON		
	A 5	-----	BATTERY	(x2)	
	A 6	BT-52006-2	WARRANTY CARD		
	A 7	BT-20071B	SERVICE NETWORK		
	A 8	YU20333	SAFETY INST.		
△	A 9	QAM0216-001	SIGNAL CORD		
	A 10	9910007701	NET ASSY	(x2)	
	A 11	6000206241	RATING LABEL	(x2)	
	A 12	UXP550E-SPBOX	SPEAKER BOX	(x2)	
	P 1	QPC02503515P	POLY BAG	25cm x 35cm	
	P 2	GV20264-002A	CARTON ASSY.		
	P 3	GV40237-005A	CARTON SPACER		
	P 4	GV10196-001A	CUSHION(FRONT)		
	P 5	GV10197-001A	CUSHION(REAR)		
	P 6	QPC05006515P	POLY BAG	50cm x 65cm	
	P 7	GV40168-009A	MIRAMA SHEET		
	P 8	8000055311	BOTTOM CUSHION		
	P 9	8000055301	TOP CUSHION		
	P 10	8500041601	POLY BAG	(x2)	